



Wipe-o-Matic



Owners Manual

Sonny's Enterprises, Inc.
5605 Hiatus Road
Tamarac, Florida 33321

Table of Contents

INTRODUCTION	3
Product Specifications	4
Optional Related Equipment.....	5
SAFETY REQUIREMENTS	5
SAFETY REQUIREMENTS	6
INSTALLATION	7
Utilities Requirements	7
Dimensions	8
Wipe-o-Matic Installation	12
Adjustments and Testing	15
GENERAL OPERATION	16
PREVENTIVE MAINTENANCE	17
PARTS LIST	18
CUSTOMER SERVICE	19

INTRODUCTION

This Owner's Manual contains information that is vital to the successful installation, operation and maintenance of your SONNY'S Vehicle washing equipment.

Please read, and understand, the full contents of this manual before installation and operation of the equipment. Keep this booklet in a location where it may be used for ongoing reference.

Should you have any questions on the operation of servicing of this equipment please contact

TECHNICAL SERVICES DEPT.
SONNY'S ENTERPRISES INC.
5605 Hiatus Road
TAMARAC, FLORIDA
TELEPHONE: 800-327-8723 FAX: 800-495-4049

THANK YOU FOR YOUR CONFIDENCE IN SONNY'S !!!!!



Product Specifications

- Frame and legs constructed from aluminum or stainless steel.
- Includes 24 overlapping manmade synthetic chamois.
- Retract for tire shine and pickup beds.
- Adjustable wringing system keeps the chamois clean.
- Chamois removable for washing.
- D81X chain included
- Hydraulic or electric drive
- 1/2 inch city water connection.

Optional Related Equipment

SONNY'S Wipe-O-Matic



Removing residual water from the vehicle surfaces without adding expensive labor for hand drying.



Placed at the end of the tunnel after your dryers, SONNY'S Wipe-O-Matic consistently wipes any residual water left on the vehicle, providing a hand-dried finish without the expensive hands.

SONNY'S Wipe-O-Matic

For years, the primary consideration for installing an automatic chamois dryer was to replace manual finishing labor. Today, more and more operators are returning to these units to reduce electrical consumption. Chemistry improvements coupled with innovations in rinsing and blower placement such as SONNY'S Wet Environment Dryer, are able to leverage gravity and inertia to deliver a dryer surface. Under certain conditions and chain speeds, the Wipe-O-Matic is sufficient to replace some high horsepower blowers in a tunnel wash.



"What sets the Wipe-O-Matic apart is that no matter how tall a vehicle is, only the chamois portion of the cloth touches the surface. There is no risk of scratching – only a great result every time, without resorting to expensive labor."

SONNY

SONNY'S Wipe-O-Matic is a labor-free, consistent way to deliver great results in vehicle drying.

- Includes 24 overlapping manmade synthetic chamois cloths that wipe and absorb water from the surface as it travels across the vehicle
- Designed to be placed after a blower system to wipe up any residual water left on the vehicle's surface. Adjustable rubber wringers squeeze out water, preparing chamois to move across the vehicle
- The Chamois wipes up from just above the molding line on the side of the vehicle and dries all top surfaces, making it ideal for Express Exterior locations
- Retract capability keeps chamois from traveling inside truck beds. Optional programmable tire shiner retract allows Wipe-O-Matic to be used in conjunction with SONNY'S SIMONIZ® Tire Shiner



Adjustable wringing mechanism keeps each of the 24 overlapping synthetic chamois cloths ready to dry.



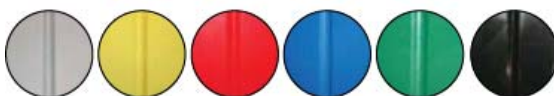
Soft synthetic chamois is safe on all vehicle surfaces.



Optional Tire Shine retract lifts chamois above wheel well to allow online dressing application. Full retract also available for pickup truck beds.



The chamois cloth is attached with heavy duty velcro to the bottom of the curtain for easy replacement.



Protect & beautify your equipment with optional powder coating. Call for pricing.

Ordering Information

Item #	Description	Price
WOM100	Wipe-O-Matic Chamois Drying System	\$17185.00
WOM100RET110	Wipe-O-Matic Top Retract Option for Pickup Beds	1725.00
WOM100TSARP	Wipe-O-Matic Side Retract Option for Tire Shine Machine	1725.00

Specifications

Poodle Brush	Inches	Metric
Tunnel Length	72in	1.83m
Tunnel Width	194in	4.93m
Tunnel Height	134in	3.40m

SAFETY REQUIREMENTS

1. Only those employees specifically instructed by the location manager will be permitted to enter the wash tunnel to perform inspections or maintenance.
2. Do not enter the wash tunnel when the equipment is operating.
3. Always exercise caution when walking through the wash area, may be slippery conditions.
4. Be cautious when walking thru the tunnel to avoid running into or tripping over equipment.
5. Do not ever run through the wash area.
6. Do not perform any work on equipment unless you performed Lock-Out Safety Precautions.
7. When maintenance requires that a piece of equipment be in operation, one qualified maintenance person must stay at the power disconnect switch while that equipment is operating.
8. All electrically powered equipment must have manually operated disconnects capable of being locked in the "OFF" position. Equipment that has been "locked out" for any reason can only be restarted by the person who performed the "lock out" operation.
9. Do not attempt to repair or adjust any pressurized liquid or pneumatic part, hose, pipe or fitting while that equipment is in operation.
10. Any "Stop" switch activated must be reset only by the person who initiated the operation.
11. Electrical connections and repairs are to be performed by a Licensed Electrician only.
12. Store all cleaning and washing solutions and oils in a well ventilated area.
13. Clean up fluid spills immediately to prevent hazardous safety conditions.
14. Be certain to follow all safety procedures on MSDS Sheets for each chemical product used.
15. All new employees must be thoroughly trained in safe operating and maintenance practices.
16. All employees must attend periodically scheduled safety procedure sessions.
17. Do not operate any piece of equipment that requires safety covers with those covers removed or improperly installed.
18. Do not allow any part of your body or other object to come in contact with moving machinery.
19. Do not wear loose fitting clothing or jewelry around moving machinery.
20. At least two qualified maintenance people must be present when performing equipment repairs or preventative maintenance.
21. When working on any equipment that is higher than a person's shoulders always use a fiberglass ladder that is in good condition.

INSTALLATION

Utilities Requirements

**UTILITIES INTERCONNECTION AND THE MATERIALS REQUIRED FOR INTERCONNECTION TO SONNY'S EQUIPMENT ARE THE RESPONSIBILITY OF THE CUSTOMER !
PERFORM ALL TRADES WORK TO ALL APPLICABLE LOCAL AND NATIONAL CODES !**

Water

- The Customer's Plumber is to provide and install a 1/2 inch city water line @60psi (nominal) to the solenoid valve to the water distribution system for the wringer.

Electrical

- The Customer's Electrician is to provide and install single phase power from the (24 or 110 VAC as determined at time of order) from the Customer's Controller system to the liquid solenoid valve for the wringer spray bars and, if required, the motor starter coil for the hydraulic power pack feeding the wringer and chain drive and any pump motor for the chemical distribution system.

Retract Kit Requirements

Electrical

- The Customer's Electrician is to provide and install single phase power from the remote push-button station through the tunnel equipment programmer to the supplied air solenoid valve on the Air Distribution Manifold for retract of both top and side wringers upon selective signal (See Figure #4 in Dimensions Section).

Compressed Air

- The Customer's Plumber is to provide and install a 1/2 inch compressed air line from the Air Compressor to the Air Distribution Manifold for the Retract functions.

Dimensions

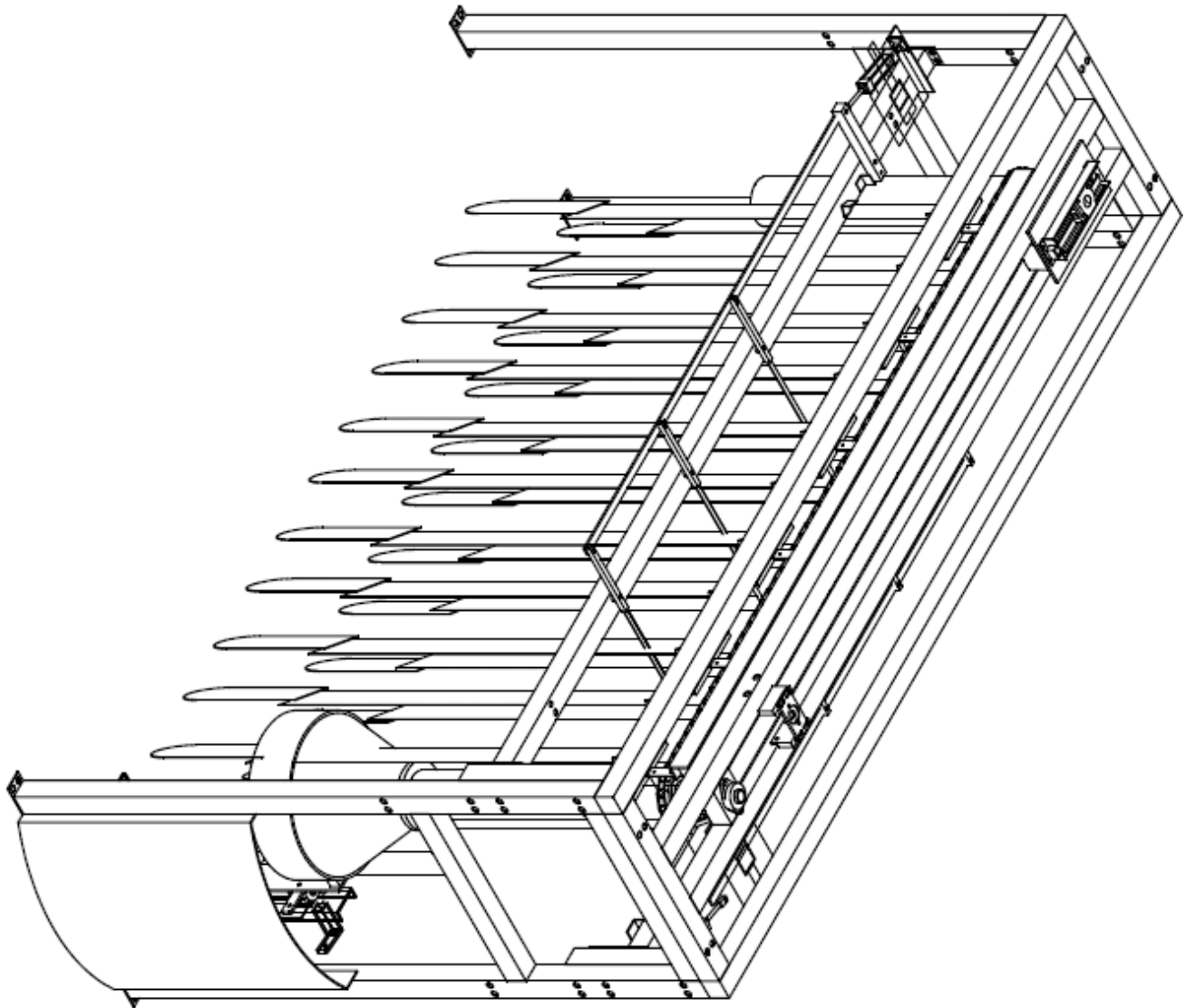


Figure # 1

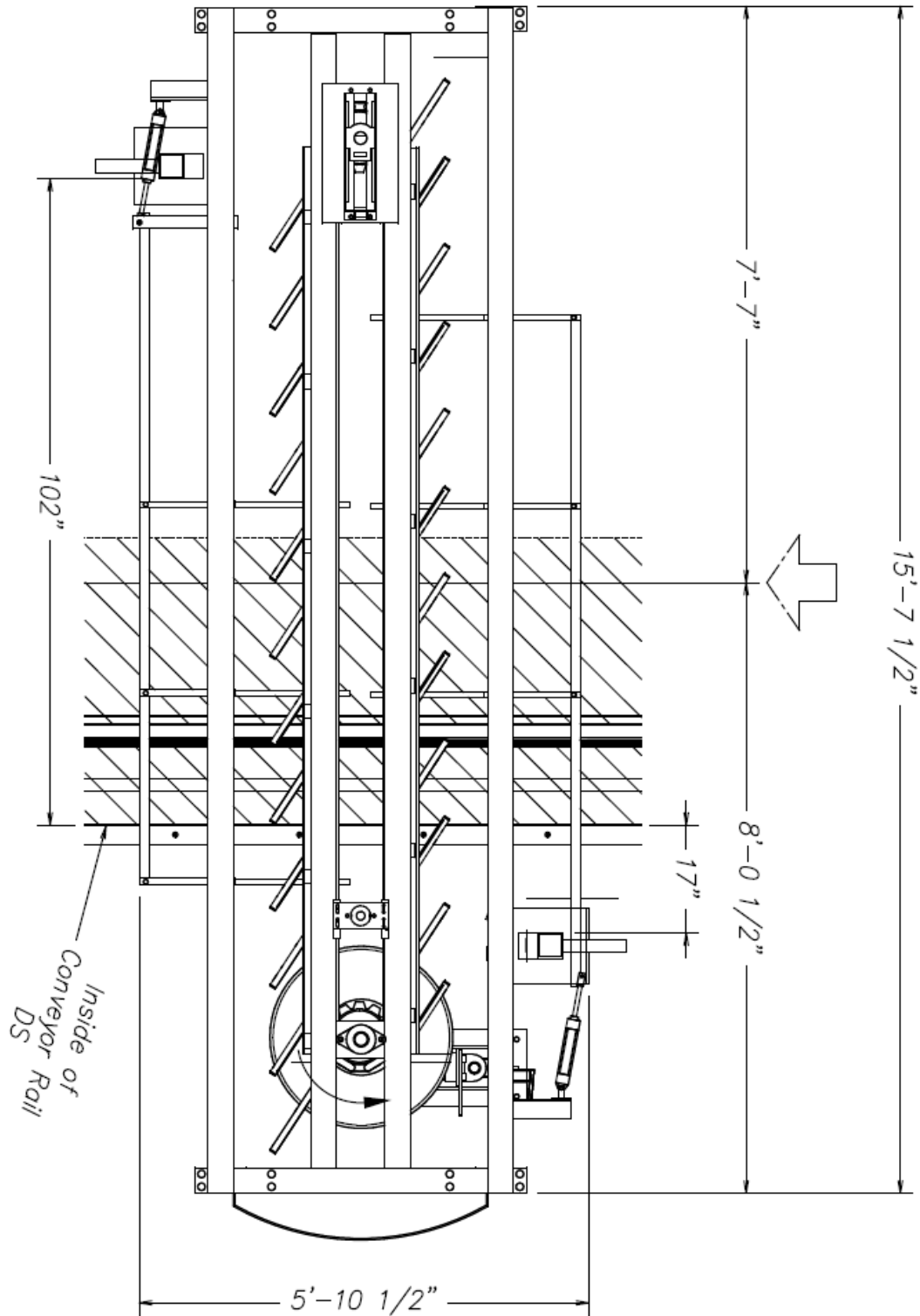


Figure # 2

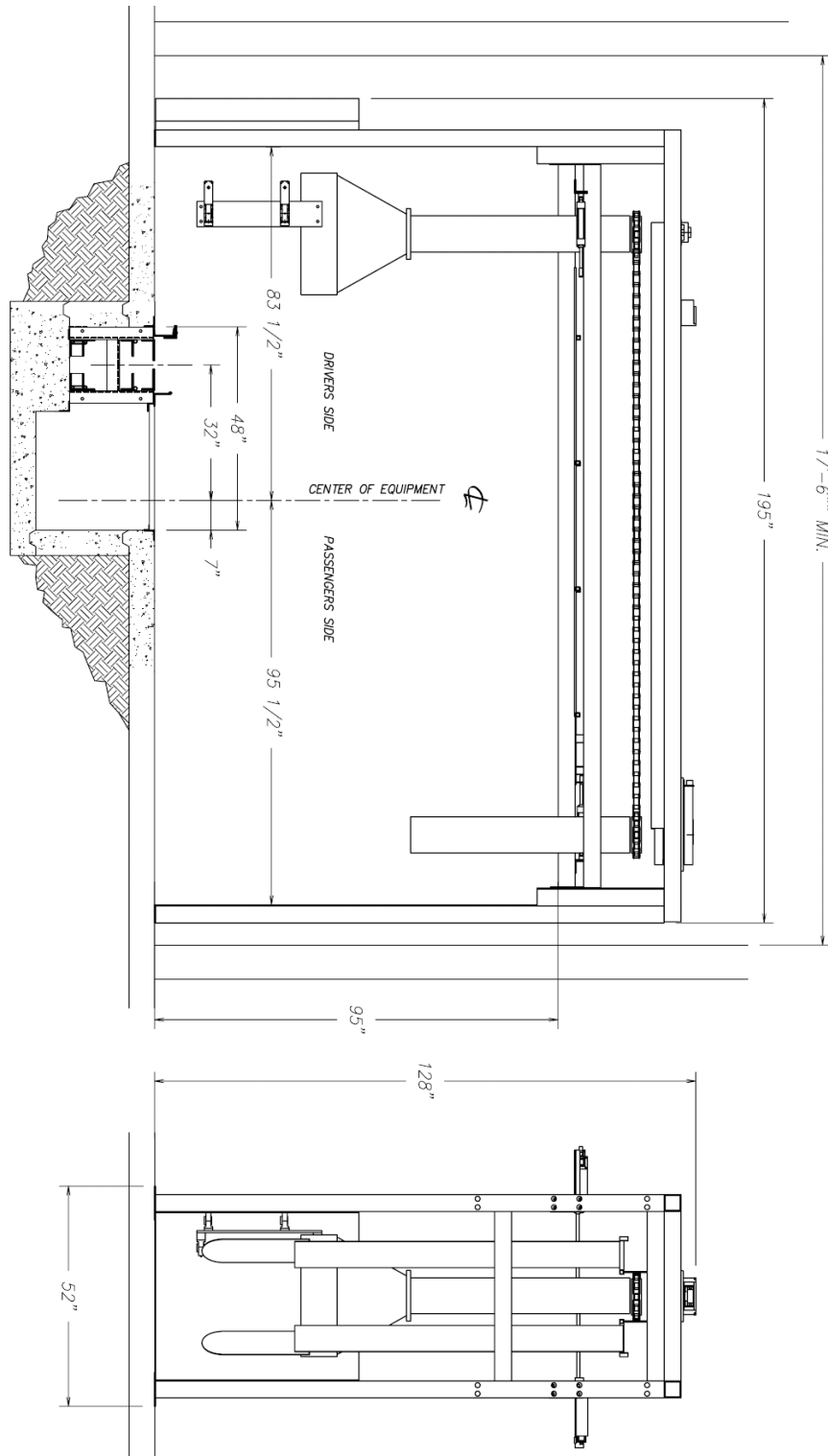


Figure # 3

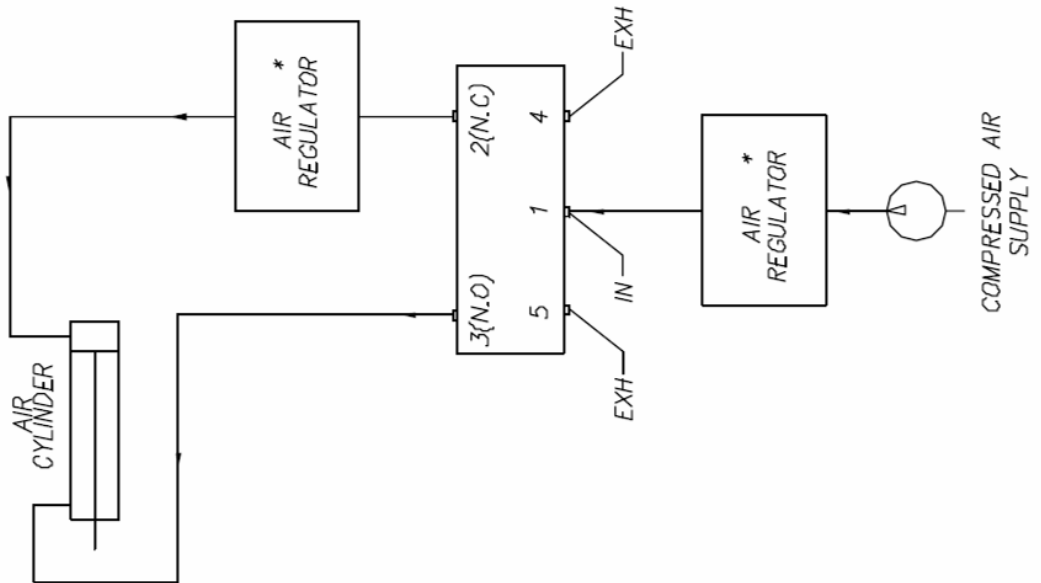


Figure # 4

Equipment Installation

Wipe-o-Matic Installation

Installation Tools

1. Safety Glasses
2. 1/2" Drive Ratchet Set
3. Standard Combo Wrenches
4. Tape Measure
5. Permanent Marker
6. 4' Level
7. Electric Impact Wrench
8. 5' Pry Bar
9. 1" Hammer Drill
10. Sledge Hammer
11. Fork Lift
12. C-clamps

Manpower

One (3) man

Consumables

1. Teflon Paste
2. Teflon Tape
3. Never Size

Time (assuming no problems)

2.00 - 4.00 hours

Installation Steps

1. Locate the Wipe-o-Matic frame and attach it to the forklift using c-clamps. Then place it in its pre-determined location inside the tunnel.



- Two (2) people need to locate the legs of the Wipe-o-Matic and load them onto the forklift, taking them inside the tunnel.
- An additional two (2) people should be positioned on ladders, with one (1) person and one (1) ladder on each side of the tunnel.
- With both people holding the legs, raise the frame up until it moves into place and adjust the bolts. Start on the passenger side and then repeat these steps on the driver side.



- Locate the retract arms in the staging area and move them into the tunnel area by hand. Inside the tunnel have two (2) people positioned on ladders, one (1) on each side of the tunnel, to help lift the retract arms into position. Insert the bolts and bolt the arms in place.

Note: The arms need to extend towards the center of the Wipe-o-Matic.

- Locate the wringer in the staging area and bring it inside the tunnel area using the forklift. Once inside the tunnel lower it into place, sliding it over by hand, to the frame, and then bolt it in place.
- Next locate the cloth and wringer guides in the staging area and take them into the tunnel area by hand. Attach these to the sprockets on the Wipe-o-Matic, with the larger guide on the driver side and the smaller guide on the passenger side. Finally, the wringer guides are lifted and bolted in place on the sprocket.



8. Run a feed line (Black) from the flow control on the hydraulic power pack, to the motor on the wringer.

Note: Ensure correct rotation cloth should be rinsed then sent through the wringer.

9. Run a feed line (Black) from the other side of the motor on the wringer to the inlet on the chain drive motor.
10. From the chain drive motor run a return line (Red) back to the return on the hydraulic power pack.
11. Run 2 3/8" Polly flow hose from the Mack valve out the retract cylinders.

Note: if using retract for pick-up beds and tire shine two separate Mac valves must be used.

Adjustments and Testing

Speed

1. Adjust the wiping speed of the Wipe-o-Matic by adjusting the flow-control valve on the hydraulic power pack.
2. The speed should be set so that the curtain has through contact with the side of the vehicle, and gently glides across the horizontal surfaces.
3. Adjust the rubber wringers squeeze out water from the chamois.

Chain Tension

1. Ensure the D81X chain is not slack, as this could cause jams.
2. When the chain has become slack a no further adjustments can be made it may be necessary to remove a chain link.

Wet Down

1. The unit needs to be ran during the wet down cycle to ensure each shammy is wet.

GENERAL OPERATION

Wipe-o-Matic Operation

Wringer movement starts and stops with a signal from the Customer supplied Controller system to the Customer's hydraulic power pack which drives the hydraulic motors. This Controller Start-Stop signal should also control water delivery to the wringer.

BE CERTAIN THAT THE CURTAINS ROTATE COUNTER CLOKWISE

Optional Retract Operation

The Wipe-o-Matic retracts option requires Two separate function

Item # WOM100RET select voltage 24/ 110

Top retract is used for truck -pickup beds, roof racks, etc / When selected by operator's remote Programmer push button station. The Wipe-o-Matic is activated to retract.

This is accomplished, when the button is pressed, by completing an electrical circuit through the equipment programmer to pass single phase power at the present pulse count of the programmer to the retract air solenoid valve. The air solenoid valve now opens and allows compressed air to pass through to the rod end port of each air cylinder causing the Top arm to retract, the Wipe o Matic curtain - shammys.

Item # WOM100TSARP select voltage 24/110

Side retract is used in conjunction with the Tire shiner / When selected by operator's remote programmer the tire shiner and Wipe-o-Matic should be in conjunction of each other this is a Programmable function.

PREVENTIVE MAINTENANCE

DAILY

1. If equipped with an electric motor, check for leaks around the gear reducer.
2. If equipped with a hydraulic motor, check for leaks around hoses and fittings, and repair any hydraulic leaks immediately.
3. Perform general examination of operation, listening for any unusual noises.
4. Observe retract operation. It should be smooth and retract completely.
5. During Closing Checks, check the condition of cloth. If dirty, clean using prep gun.

WEEKLY

1. Grease all rotational bearings, being careful not to get any grease on the cloths.
2. Check chain tension, remove links if necessary.
3. Check wringers to ensure sufficient pressure, adjust if necessary.
4. Remove and wash sammys as needed.

FOR THE FIRST MONTH OF OPERATION CHECK ALL HARDWARE AND FITTINGS FOR TIGHTNESS EACH WEEK. PERFORM THIS INSPECTION TO THE SCHEDULE SHOWN BELOW AFTER THE FIRST MONTH OF OPERATION.

MONTHLY

1. Inspecting all hardware and fittings for tightness.
2. Inspect spray nozzles for wear. Replace as necessary.
3. Thoroughly clean the equipment and framework.

SEMI-ANNUALLY

1. Carefully inspect equipment cloth for wear and damage. Replace as necessary.

CUSTOMER SERVICE

Please contact SONNY'S Equipment Department for installation and/or operation questions regarding this piece of equipment.

Please refer to the Parts list in this manual or our Parts Catalog and contact SONNY'S Customer Service Order Entry Department for any replacement parts for this piece of equipment.

DEPARTMENT	PHONE NUMBERS	FAX NUMBERS
Toll Free Main Line	800-327-8723	800-495-4049
Equipment Department	954-720-4100	954-720-9292

Or you can email Sales at sales@sonnysdirect.com

Thank you for being a SONNY'S car wash equipment owner!

From all of us here at

