



# Spinner Wheel Cleaners



## Owners Manual

Sonny's Enterprises, Inc.  
5605 Hiatus Road  
Tamarac, Florida 33321

## \*Table of Contents\*

<b>*INTRODUCTION*</b> .....	<b>3</b>
Product Specifications.....	4
Optional Related Equipment .....	5
<b>*SAFETY REQUIREMENTS*</b> .....	<b>7</b>
<b>*INSTALLATION*</b> .....	<b>8</b>
Utilities Requirements .....	8
Dimensions .....	9
Equipment Installation .....	12
Spinner Wheel Cleaners .....	12
Adjustments and Testing.....	13
<b>*GENERAL OPERATION*</b> .....	<b>14</b>
<b>*PREVENTIVE MAINTENANCE*</b> .....	<b>15</b>
<b>*PARTS LIST*</b> .....	<b>16</b>
<b>*CUSTOMER SERVICE*</b> .....	<b>19</b>

## **\*INTRODUCTION\***

**This Owner's Manual contains information that is vital to the successful installation, operation and maintenance of your SONNY'S vehicle washing equipment.**

**Please read, and understand, the full contents of this manual before installation and operation of the equipment. Keep this booklet in a location where it may be used for ongoing reference.**

**Should you have any questions on the operation or servicing of this equipment please contact**

**TECHNICAL SERVICES DEPT.  
SONNY'S ENTERPRISES INC.**

**5605 Hiatus Road**

**TAMARAC, FLORIDA 33321**

**TELEPHONE: 800-327-8723    FAX: 800-495-4049**

**THANK YOU FOR YOUR CONFIDENCE IN SONNY'S !!!!!**



## Product Specifications

- Free-standing pivot design & free standing stationary design.
- 4 – zero degree plus nozzles & 1 – 15 degree on each spinner.
- Also available as a turbo with 4 – zero degree nozzles & 1 turbo nozzle in center.
- Stainless steel spray bars.
- Non-grease UHMW bushings throughout.
- Available as arch mounted or free standing post mount.
- Optional independent cylinders pivot for greater coverage.
- Long lasting ceramic swivels.
- Non-corrosive aluminum and plastic construction.

## Optional Related Equipment

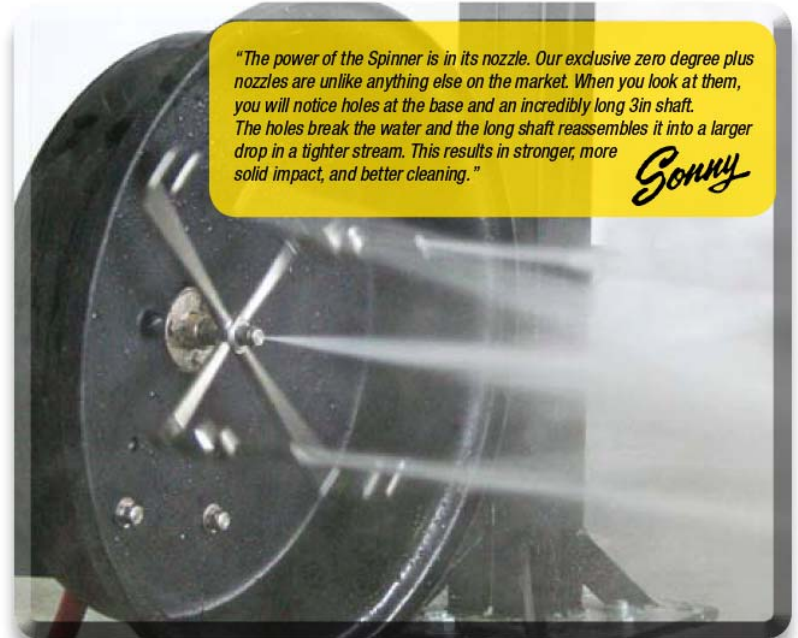
### SONNY'S Spinner Wheel Cleaners



You need help cleaning wheels online without prepping.



SONNY'S Pivoting Spinner with 5 nozzles blasts the front bumper of the vehicle, pivots to follow the front wheel, returns to its starting position to blast the rocker panel, and then pivots again to follow the rear wheel. The unit remains in this position to blast the rear of the vehicle and then adjusts back to its starting position to ready itself for the next vehicle.



*"The power of the Spinner is in its nozzle. Our exclusive zero degree plus nozzles are unlike anything else on the market. When you look at them, you will notice holes at the base and an incredibly long 3in shaft. The holes break the water and the long shaft reassembles it into a larger drop in a tighter stream. This results in stronger, more solid impact, and better cleaning."*

*Sonny*



Pivoting SPINNER:  
 SP100PPLUS

#### Pivoting Spinner

- Free-standing pivoting design
- SONNY'S exclusive zero degree plus nozzles for maximum impact and better cleaning
- Greaseless UHMW bearings for low maintenance
- Manifolds constructed of stainless steel for durability
- Independent cylinders pivot manifolds for greater coverage
- Long-lasting ceramic swivel



5 nozzles - (4) Spinning zero degree plus and (1) 15-degree, provide full coverage.



Pivoting Spinner uses maintenance free UHMW bearings.



Non-corrosive aluminum and plastic construction.



Long lasting ceramic swivel.

# Equipment Program - Manuals

## Spinner Wheel Cleaners Manual

### SP Series



### Stationary Spinner

- Free-standing stationary design
- SONNY'S exclusive zero degree plus nozzles for maximum impact and better cleaning
- Manifolds constructed of stainless steel for durability
- Long-lasting ceramic swivel



### Ordering Information

Item #	Description	Nozzles	Coverage	Price
SP100SPLUS	Stationary SPINNER	(8) Zero Degree Plus (2) 15-Degree	Wheels  Rocker Panels	<b>\$1615.00</b>
SP100PPLUS	Pivoting SPINNER	(8) Zero Degree Plus (2) 15-Degree	Wheels  Rocker Panels  Front and Rear Bumpers	<b>2750.00</b>
SP100PPLUST	Pivoting SPINNER	(8) Zero Degree Plus (2) Turbo Nozzles	Wheels  Rocker Panels  Front and Rear Bumpers	<b>2865.00</b>

Frame also available in stainless steel.

### Related Support Equipment



Item #	Description	Price
VR5-8IRS	Compressor, 5HP Standard Vert 80gal	<b>\$1990.00</b>
VR7-8IRS	Compressor, 7 1/2HP Standard Vert 80gal	<b>2195.00</b>
H25SPS	Pump Station, H-25 Single	<b>5445.00</b>
H25DPS	Pump Station, H-25 Double, 1 Tank	<b>10765.00</b>
D35SPS	Pump Station, D-35 Single	<b>9625.00</b>
D35DPS	Pump Station, D-35 Double, 1 Tank	<b>18335.00</b>

### Specifications

	SPINNER		TURBO	
	Inch	Metric	Inch	Metric
Tunnel Length	28in	711mm	28in	711mm
Tunnel Width	154in	3.657m	154in	3.657m
Water	20GPM @ 600PSI	1.3 ltrs/s @ 42 kgs/sq cm	20GPM @ 600PSI	1.3 ltrs/s @ 42 kgs/sq cm
Pneumatic	2CFM		2CFM	

## SONNY'S Turbo Wheel Blaster

### SONNY'S TURBO Pivoting Wheel Blaster

Uses 3 high-impact, high pressure rotating zero degree nozzles designed to increase impact and area of coverage of the solid stream zero degree nozzles.



- The unit blasts the front bumper of the vehicle and then pivots to follow the front wheel, returns to its starting position to blast the rocker panel, and then pivots again to follow the rear wheel
- The unit remains in this position to blast the rear of the vehicle and then adjusts back to its starting position to ready itself for the next vehicle
- High-impact rotating nozzles eliminate the need for swivels
- Greaseless UHMW bearings require no regular maintenance
- Includes Mac solenoid valve and 1/4in F.R.L.

### Quick Replacement Reference



Item #	Description	Price
SPNTUBNOZKIT08	Spinner Nozzle Kit, 08 Nozzle	<b>\$41.20</b>
SPNTUBNOZKIT04	Spinner Nozzle Kit, 04 Nozzle	<b>41.20</b>
200357540	Nozzle, Turbo 2.25GPM 1000PSI	<b>46.32</b>
200357535	Nozzle, Turbo 2.00GPM 1000PSI	<b>46.32</b>
SP100PC	Pin & Cotter, SS 3in x 5/8in	<b>9.95</b>
SP100CAN	Spinner, Can Only 16in OD x 4in OAH	<b>90.00</b>
NV1193	Flow Control Valve, 1/8in x 1/4in Tube	<b>14.14</b>
MAC811C24	Valve, Solenoid 4-Way 24V	<b>65.00</b>

Item #	Description	Price
SP100T	Wheel Blasters, Set of Pivoting Turbo	<b>\$1330.00</b>

## **\*SAFETY REQUIREMENTS\***

1. Only those employees specifically instructed by the location manager will be permitted to enter the wash tunnel to perform inspections or maintenance.
2. Do not enter the wash tunnel when the equipment is operating.
3. Always exercise caution when walking through the wash area, may be slippery conditions.
4. Be cautious when walking through the tunnel to avoid running into or tripping over equipment.
5. Do not ever run through the wash area.
6. Do not perform any work on equipment unless you performed Lock-Out Safety Precautions.
7. When maintenance requires that a piece of equipment be in operation, one qualified maintenance person must stay at the power disconnect switch while that equipment is operating.
8. All electrically powered equipment must have manually operated disconnects capable of being locked in the "OFF" position. Equipment that has been "locked out" for any reason can only be restarted by the person who performed the "lock out" operation.
9. Do not attempt to repair or adjust any pressurized liquid or pneumatic part, hose, pipe or fitting while that equipment is in operation.
10. Any "Stop" switch activated must be reset only by the person who initiated the operation.
11. Electrical connections and repairs are to be performed only by a Licensed Electrician Only.
12. Store all cleaning and washing solutions and oils in a well ventilated area.
13. Clean up fluid spills immediately to prevent hazardous safety conditions.
14. Be certain to follow all safety procedures on MSDS Sheets for each chemical product used.
15. All new employees must be thoroughly trained in safe operating and maintenance practices.
16. All employees must attend periodically scheduled safety procedure sessions.
17. Do not operate any piece of equipment that requires safety covers with those covers removed or improperly installed.
18. Do not allow any part of your body or other object to come in contact with moving machinery.
19. Do not wear loose fitting clothing around moving machinery.
20. At least two qualified maintenance people must be present when performing equipment repairs or preventative maintenance.
21. When working on any equipment that is higher than a person's shoulders always use a fiberglass ladder that is in good condition.

# **\*INSTALLATION\***

## **Utilities Requirements**

**UTILITIES INTERCONNECTION AND THE MATERIALS REQUIRED FOR INTERCONNECTION TO SONNY'S EQUIPMENT ARE THE RESPONSIBILITY OF THE CUSTOMER !**

**PERFORM ALL TRADES WORK TO ALL APPLICABLE LOCAL AND NATIONAL CODES !**

### **Electric**

The Customer's Electrician is to provide materials and install single phase power (24VAC or 110VAC - specify at the time of order) from the tunnel equipment controller to high pressure pump controls, hydraulic power pack control, and the (optional) supplied 4-way air solenoid valve on the air distribution manifold.

### **Pneumatic For Optional Pivoting Spinners**

The Customer's Plumber is to provide and install a 3/8 inch compressed air line (approximately 6cfm at maximum load) from the to the 4-way air solenoid valve on the air distribution manifold.

# Dimensions

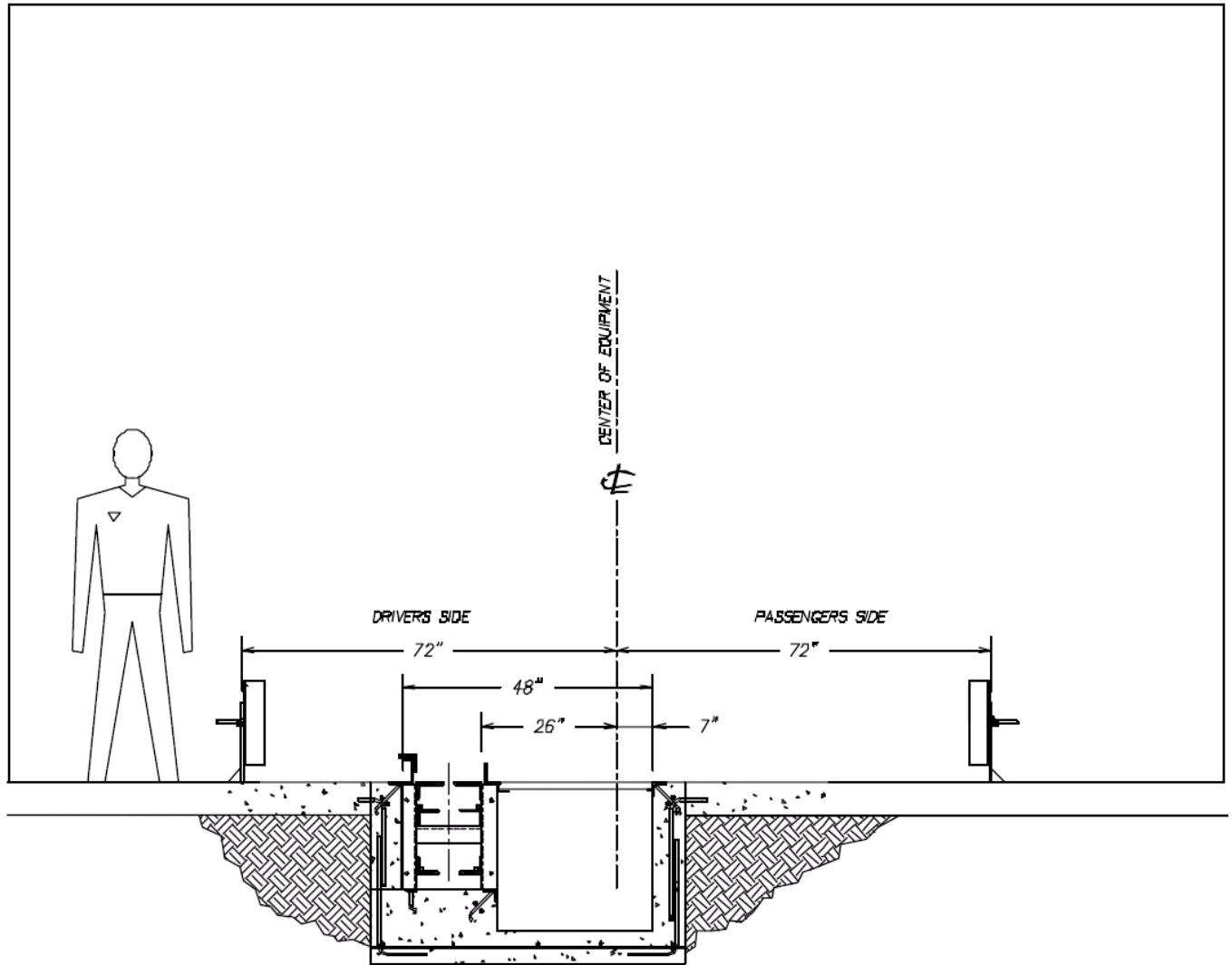


Figure # 1

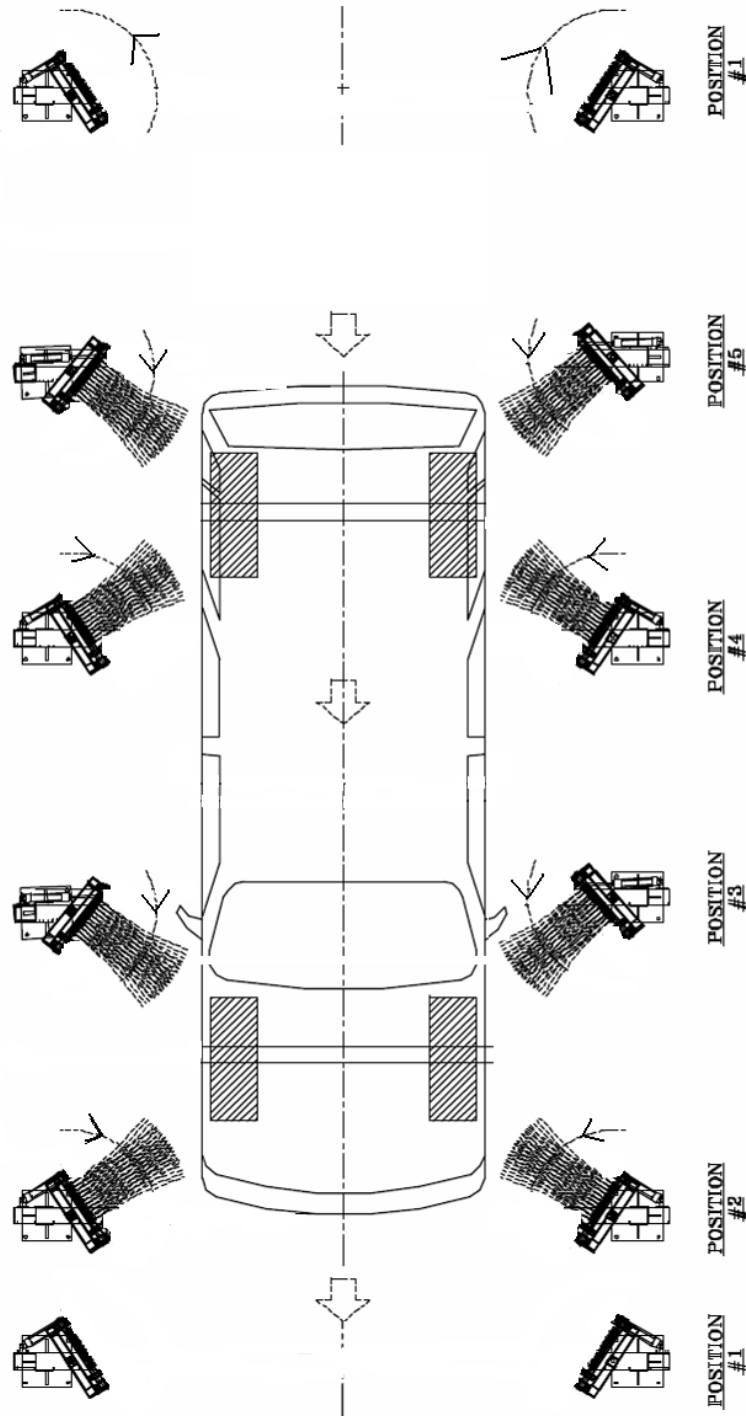
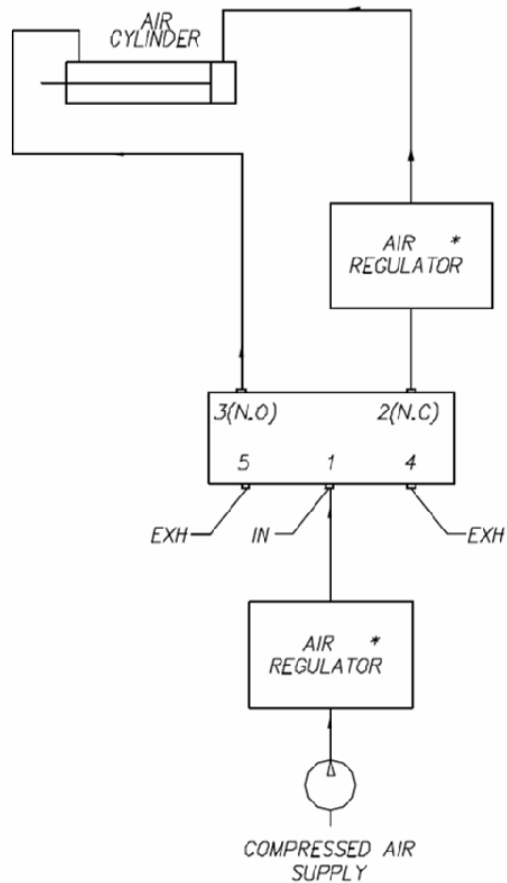


Figure # 2

PROGRAMMABLE EXTEND INTERCONNECTION DIAGRAM

TYPICAL EACH CYLINDER



# Equipment Installation

## Spinner Wheel Cleaners

### Installation Tools

1. Safety Glasses
2. 1/2" Drive Ratchet Set
3. Standard Combo Wrenches
4. Standard Screwdriver
5. 1" Hammer Drill
6. Sledge Hammer
7. Tape Measure

### Consumables

1. Stainless Shims
2. Teflon Tape
3. Teflon Paste

### Manpower

Two (1) men

### Time (assuming no problems)

2.00 - 3.00 hours

### Installation Steps

1. Determine where the Spinner Wheel Cleaners are to be installed.
2. Sweep any debris from the area.
3. Set the spinner wheel cleaners in place. To ensure the correct unit is placed on each side, check that the air cylinder points towards the tunnel exit.
4. Measure 72" from the center line to the back plate of the spinner as pictured in Figure #1 and in the tunnel layout diagram Figure #2.
5. Secure the base plates to the floor with anchor bolts, ensuring that the base is square with the conveyor.
6. Run and connect the 3/8" air lines from the air distributor to the air cylinder on each spinner. Apply air pressure to each ensuring that the at rest position is the same as position #1 in Figure #2.
7. Run and connect the high pressure water lines from the HP pump station to the spinners.

# Adjustments and Testing

## Test Water and Air

Using the 4-way air valves on the air distribution manifold, manually activate each air cylinder and ensure the spinners pivot properly and that in the OFF position it is facing as in Position #1 in Figure #2.

At the tunnel equipment controller manually activate the high pressure water pump station for the spinners and ensure the nozzles operate properly and there are no leaks. Water pressure should read approximately 800PSI.

## Tunnel Controller Programming

Set the programming as follows (refer to Figure # 2)

1. Position #1. This is the rest position of the spinners when they are waiting for the next vehicle.
2. Position #2. The high pressure water pump starts operating as the front tire/wheel comes within range. As the front tire passes, the 4-way air valve should be activated and the spinners should track the front tires as they pass by. The needle valve on the cylinder can be adjusted to control the speed of the tracking.
3. Position #3. As the front tires pass outside of the range of the spray pattern the 4-way air valve should deactivate, allowing the spinners to return to their forward facing position.
4. Position #4. As the rear tires come in range the 4-way air valve should be activated and the spinners should track the rear tires as they pass by.
5. Position #5. As the rear tires of the vehicle pass outside of the range of the spray pattern the 4-way air valve should deactivate, allowing the spinners to return to their forward position. High pressure water pump should also shut down.

## **\*GENERAL OPERATION\***

### **Spinner Wheel Cleaners**

Starting and stopping of the spinners is controlled by the customer's equipment programmer signal to the motor starter coil controlling three-phase power to the high pressure water pump. The speed of the rotation of the spinners being driven may be changed by the bypass/regulator adjustment on the pump.

The needle valves on the reservoir and cylinder can be adjusted to accurately track the wheels of the vehicle thereby increasing the cleaning time on the wheels.

## **\*PREVENTIVE MAINTENANCE\***

### **DAILY**

1. Check all lines and fittings for leaks. Repair or replace, as needed.
2. Check for proper operation, listening for any unusual noises and checking for proper tracking.

### **WEEKLY**

1. Inspect the spray nozzles for excessive wear, replace if necessary.

**FOR THE FIRST MONTH OF OPERATION CHECK ALL HYDRAULIC FITTINGS FOR TIGHTNESS EACH WEEK. PERFORM THIS INSPECTION TO THE SCHEDULE SHOWN BELOW AFTER THE FIRST MONTH OF OPERATION.**

### **MONTHLY**

1. Check all plastic bushings for wear and schedule replacement if necessary.
2. Inspect all hardware and fittings for tightness.
3. Thoroughly clean the framework and manifolds.
4. Spray cylinder rod end and clevis with lubricant.

# \*PARTS LIST\*

## Flange Mount Swivel



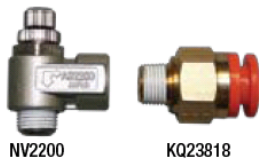
Item #	Description	Price
38163	Swivel, w/ Flange 3/8 F x G3/8 M	\$127.70
86848	T-Bar, 14in x 8in 4 Arm 5 x 1/8 Nozzles	59.49
70-050	Nipple, 316 SS 3/8in x 6in	7.50
89748	T-Bar, 14in x 8in 4 Arm 5 x 1/4 Nozzles	100.86

## Cylinder



Item #	Description	Price
A1125	Cylinder, 1in Bore x 5in Stroke SMC	\$51.00
RDEY142	Rod Eye, 1/4in x 2in w/o Spacers	18.99
SP100PC	Pin & Cotter, SS 3in x 5/8in	9.95
NV1193	Flow Control Valve, 1/8in x 1/4in Tube	14.14

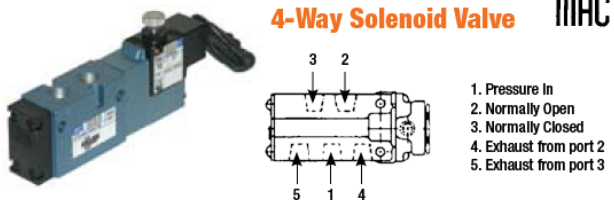
## 1/8in MPT x 1/8in FPT Needle Valve & Connector



- Used on SONNY'S Gator, Spinners and BayWash
- Air cylinder speed control

Item #	Description	Price
NV2200	Needle Valve, 1/8in x 1/8in NPT	\$12.60
KQ23818	Connector, 3/8in Tube x 1/8in NPT	2.40

## 4-Way Solenoid Valve



- Pressure In
- Normally Open
- Normally Closed
- Exhaust from port 2
- Exhaust from port 3

Item #	Description	Price
MAC811C110	Valve, Solenoid 4 Way 110V	\$65.00
MAC811C24	Valve, Solenoid 4-Way 24V	65.00
901/4CM04F40	Nozzle, PVDF 1/4 x 40deg #04 Light Blue	1.44

## 1/8in Hardened Stainless Nozzles



- 4 @ 0004 and 1 @ 1504 per side when using 1 H25 Pump
- 4 @ 0008 and 1 @ 1508 per side when using 2 H25 Pumps

Item #	Description	Price
900040S	Nozzle, HSS General HP 0deg #04 1/8in	\$2.76
915040S	Nozzle, HSS General HP 15deg #04 1/8in	2.76
900080S	Nozzle, HSS General HP 0deg #08 1/8in	2.76
915080S	Nozzle, HSS General HP 15deg #08 1/8in	2.76

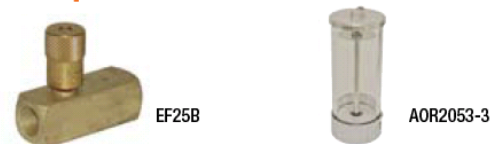
## Spinner Housing



- Used on SONNY'S Spinners and Pendulum
- Spun plastic housing
- 17.5in Diameter
- 4in Depth

Item #	Description	Price
SP100PLDS	Spinner, Plastic Pan 17.5in x 4in DS	\$49.50
SP100PLPS	Spinner, Plastic Pan 17.5in x 4in PS	49.50

## Optional Oil Reservoir & Flow Control



Item #	Description	Price
AOR2053-3	Reservoir, Oil 80PSI Maximum	\$75.30
EF25B	Flow Control, 3/8in Brass	39.20

## Spinner Plus Tube Nozzles



- Aerates the water stream
- Increases water impact
- Provides maximum cleaning

Item #	Description	Price
SPNTUBNOZKIT02	Spinner Nozzle Kit, 02 Nozzle	\$41.20
SPNTUBNOZKIT04	Spinner Nozzle Kit, 04 Nozzle	41.20
SPNTUBNO2KIT02	Connector, Male 1/2in JIC x 1/4in NPT	0.63
TP0002EG	Nozzle, Wash Jet 0002 EG	9.00

OMNTUB

SPNTUBNOZKIT02



### Spinner Tube Nozzles

- Aerates the water stream
- Increases water impact
- Provides maximum cleaning



H2404-8-4

TP0002EG

Tunnel length required for all type spinners: 28 in

Tunnel width required for all type spinners: 154 in

Water usage: up to 20GPM @ 800PSI

Pneumatic: 2CFM

Item #	Description	GPM@ 1000PSI	Price
SPNTUBNOZKIT02	Spinner Nozzle Kit, 02 Nozzle	-	\$41.20
SPNTUBNOZKIT03	Spinner Nozzle Kit, 03 Nozzle	-	41.20
SPNTUBNOZKIT04	Spinner Nozzle Kit, 04 Nozzle	-	41.20
SPNTUBNOZKIT05	Spinner Nozzle Kit, 05 Nozzle	-	41.20
SPNTUBNOZKIT06	Spinner Nozzle Kit, 06 Nozzle	-	41.20
SPNTUBNOZKIT08	Spinner Nozzle Kit, 08 Nozzle	-	41.20
OMNTUB	Omni, Tube Only Stainless Steel	-	30.80
H2404-8-4	Connector, Male 1/2in JIC x 1/4in NPT	-	1.05
TP00015EG	Nozzle, Wash Jet 000 1.5 EG	.75	9.00
TP0002EG	Nozzle, Wash Jet 0002 EG	1.00	9.00
TP0003EG	Nozzle, Wash Jet 0003 EG	1.50	9.00
TP0004EG	Nozzle, Wash Jet 0004 EG	2.00	9.00
TP0005EG	Nozzle, Wash Jet 0005 EG	2.50	9.00
TP0006EG	Nozzle, Wash Jet 0006 EG	3.00	9.00
TP0008EG	Nozzle, Wash Jet 0008 EG	4.00	9.00

Nozzle #	Orifice Diameter	40PSI	100PSI	250PSI	500PSI	600PSI	700PSI	800PSI	1000PSI
02	.034	0.20	0.32	0.50	0.71	0.77	0.84	0.89	1.00
03	.043	0.30	0.47	1.75	1.06	1.16	1.25	1.34	1.50
04	.052	0.40	0.63	1.00	1.41	1.55	1.67	1.79	2.00
05	.057	0.50	0.79	1.25	1.77	1.94	2.09	2.24	2.50
06	.062	0.60	0.95	1.850	2.12	2.32	2.51	2.68	3.00
08	.072	0.80	1.26	2.00	2.83	3.10	3.35	3.58	4.00

Zero degree nozzles have 3 holes at the base and a 3" long shaft. The holes break the water, and the shaft reassembles it into larger drops in a tighter stream. The results are a stronger & greater impact for better cleaning.



#### Turbo Nozzles



200357530

- Precision ceramic orifice and matching seat
- No gears, teeth, or bearings
- 1/4in FPT inlet
- Comparable to a 25° pattern with 0° impact
- 3600 max PSI

Item #	Description	Price
200357530	Nozzle, Turbo 1.5 GPM 1000PSI	<b>\$46.32</b>
200357535	Nozzle, Turbo 2.00GPM 1000PSI	<b>46.32</b>
200357540	Nozzle, Turbo 2.25GPM 1000PSI	<b>46.32</b>
200357545	Nozzle, Turbo 2.50 GPM 1000PSI	<b>46.32</b>
200357550	Nozzle, Turbo 2.75 GPM 1000PSI	<b>46.32</b>
200357555	Nozzle, Turbo 3.00 GPM 1000PSI	<b>46.32</b>
200357560	Nozzle, Turbo 3.25 GPM 1000PSI	<b>46.32</b>

Determining the nozzle size needed for (1) set of spinners to produce a proper application: Spinners have 5 nozzles per side for a total of 10 nozzles

1. Identify the pump that will be feeding the spinners.
  - A Single H-25 is rated @ 20GPM @ 1000PSI (use 800PSI)
  - A Double H 25 Station would be 40GPM @ 1000PSI (Use 800PSI)
  - A Single D-35 is rated @ 36GPM @ 1200PSI (Use 1000PSI)
  - A Double D-35 Station would be 72GPM @ 1200PSI. (Use 100PSI)
2. Nozzles should not draw more GPM that the pump is rated for.
  - A single H-25 Pump station can deliver 20GPM.
    - Divided that by 10 nozzles = 2GPM per nozzle (02 Nozzle)
  - A dual H25 Pump station can deliver 40GPM.
    - Divided that by 10 nozzles = 4GPM per nozzle (04 Nozzle)
  - A single D35 Pump station can deliver 36GPM.
    - Divide that by 10 nozzles = 3.6GPM per nozzle (06 Nozzle)

For other pumps use the same method. Take the GPM that the pump can deliver and divide by how many nozzles the equipment has. Reference the nozzle chart to determine the appropriate nozzle size.

Nozzles should be cleaned regularly, especially if using reclaim water. Particles that get lodged in nozzles will cause the nozzle to not deliver the appropriate GPM and therefore not apply the appropriate application.

## \*CUSTOMER SERVICE\*

Please contact SONNY'S Equipment Department for installation and/or operational questions regarding this piece of equipment.

Please refer to the Parts list in this manual or our Parts Catalog and contact SONNY'S Customer Service Order Entry Department for any replacement parts for this piece of equipment.

For Equipment Repairs please visit the web at [www.sonnysdirect.com/manuals](http://www.sonnysdirect.com/manuals).

**DEPARTMENT**

Toll Free Main Line  
Equipment Department

**PHONE NUMBERS**

800-327-8723  
954-720-4100

**FAX NUMBERS**

800-495-4049  
954-720-9292

Or you can email Sales at [sales@sonnysdirect.com](mailto:sales@sonnysdirect.com)

*Thank you for being a SONNY'S car wash equipment owner!*

*From all of us here at*

