



Omni Wash Arches



Owners Manual

Sonny's Enterprises, Inc.
5605 Hiatus Road
Tamarac, Florida 33321

Table of Contents

INTRODUCTION	3
Product Specifications.....	4
Optional Related Equipment	5
SAFETY REQUIREMENTS	8
INSTALLATION	9
Utilities Requirements	9
Dimensions	10
Equipment Installation	12
Omni Wash Arch Installation.....	12
Adjustments and Testing.....	14
GENERAL OPERATION	16
PREVENTIVE MAINTENANCE	17
PARTS LIST	18
CUSTOMER SERVICE	19

INTRODUCTION

This Owner's Manual contains information that is vital to the successful installation, operation and maintenance of your SONNY'S vehicle washing equipment.

Please read, and understand, the full contents of this manual before installation and operation of the equipment. Keep this booklet in a location where it may be used for ongoing reference.

Should you have any questions on the operation or servicing of this equipment please contact

TECHNICAL SERVICES DEPT.
SONNY'S ENTERPRISES INC.

5605 Hiatus Road

TAMARAC, FLORIDA 33321

TELEPHONE: 800-327-8723 FAX: 800-495-4049

THANK YOU FOR YOUR CONFIDENCE IN SONNY'S !!!!!



Product Specifications

- Unique shifting and oscillating motion provides thorough coverage.
- 4 inch square aluminum frame. Also available in stainless steel.
- Stainless steel spray bars.
- Non-grease UHMW bushings throughout.
- Spray bar oscillation controlled by hydraulic motors requiring 3GPM maximum.
- Directional shifting cushioned with air over oil circuits.
- Available as arch mounted or free standing post mount.
- Sized for solution delivery of 20GPM @ 650-800PSI.
- 28 inches of tunnel length required.
- 156 inches of tunnel width required.
- 96 inches unobstructed overhead clearance required with frame cross beam.

Optional Related Equipment

SONNY'S OMNI I Wash Arches



Prepping: You need to remove mud, bugs, or ice prior to pre-soak application.

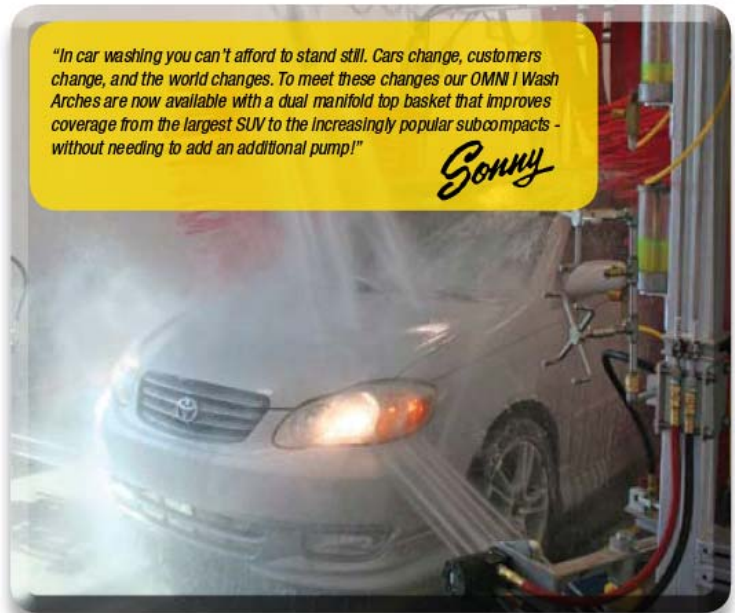
Wheel Cleaning: You need to eliminate manual prepping and clean wheels online.

Side Cleaning: You need to remove dirt from wheel wells and clean side grooves including step plates and other side treatments on SUVs and trucks.

Top Surface Cleaning: You need to remove bugs from windshield, "eyebrow" and clean roof racks on SUVs and Trucks.



SONNY'S OMNI I Arches feature 2 to 5 pivoting stainless steel manifolds that track vehicles and blast away dirt with a high impact water stream created by exclusive aerated zero degree plus nozzles.

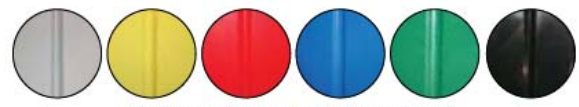


"In car washing you can't afford to stand still. Cars change, customers change, and the world changes. To meet these changes our OMNI I Wash Arches are now available with a dual manifold top basket that improves coverage from the largest SUV to the increasingly popular subcompacts - without needing to add an additional pump!"

Sonny



NEW OMNI I 352
 with DUAL Manifold Top Basket



Protect & beautify your equipment with optional powder coating. Call for pricing.



Independent hydraulic or electric motors for up & down oscillation.



Each manifold equipped with 10 Zero Degree Plus nozzles for greater impact and cleaning performance.



Each manifold uses air cylinders to pivot and follow wheels and vehicle.



Cast aluminum manifold for strength and durability.

Features

- 4in x 4in QuadX Aluminum frame completely plumbed with stainless steel tubing for reliability and fast installation
- SONNY'S Exclusive zero degree plus nozzles for maximum impact and better cleaning
- Greaseless UHMW bearings for low maintenance
- Manifolds constructed of stainless steel for durability
- Independent hydraulic or electric motors oscillate manifolds for greater coverage

SONNY'S OMNI Wash Attachments



You need compact high pressure blasters that pivot and oscillate for maximum cleaning, but deliver tremendous installation flexibility.

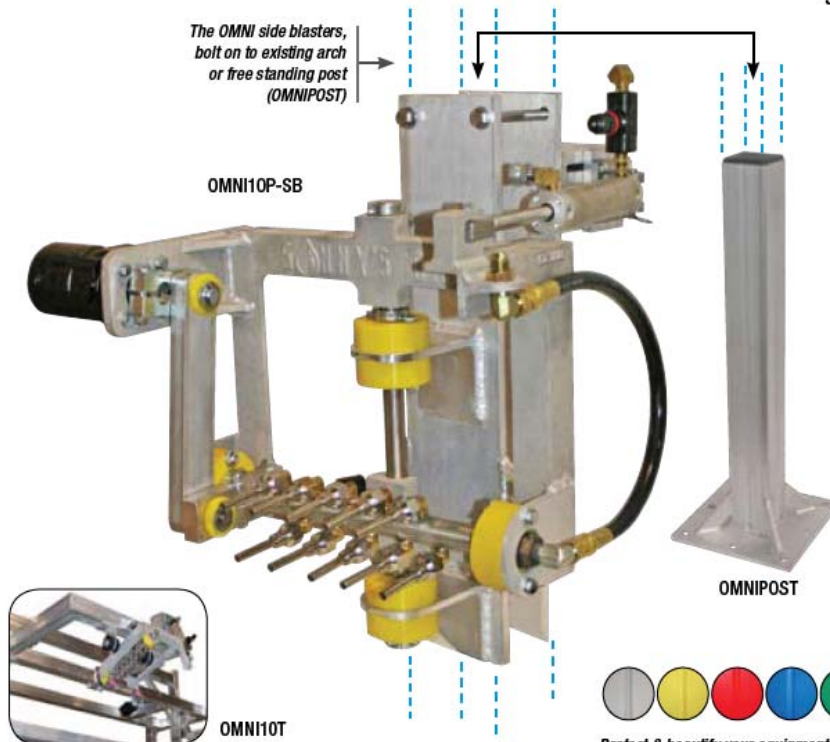


SONNY'S OMNI TOP Attachments:
 Provide high pressure oscillating and pivoting cleaning to horizontal surfaces, including areas where friction can't reach.

SONNY'S OMNI SIDE Attachments:
 Provide high pressure oscillating and pivoting cleaning to vertical surfaces.



OMNI20T— Omni top attachment bolts on to existing arch. Shown with dual manifold and optional black powder coating.



Features

- 4in x 4in QuadX aluminum post
- SONNY'S exclusive zero degree plus nozzles for maximum impact and better cleaning
- Greaseless UHMW bearings for low maintenance
- Manifolds constructed of stainless steel for durability
- Independent hydraulic or electric motors oscillate manifolds for greater coverage

Drive Blocks for Side, Wheel, and Top Blasters



Side Blaster Models:
 Features a full oscillation from the bottom of the wheel to the bottom edge of most windows.

HPB500DRA



Wheel Blaster Models:
 Features a restricted oscillation with a shorter stroke for greater concentration on wheels.

OMWBDR



Top Blaster Models:
 Features a side to side oscillation that covers all horizontal surfaces.

OMDRIVBLOCK



Protect & beautify your equipment with optional powder coating. Call for pricing.



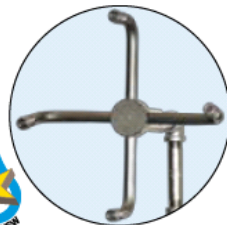
OMNI10T

SONNY'S OMNI Top Attachments

- Oscillating overhead high pressure blaster delivers powerful cleaning performance via SONNY'S exclusive Zero Degree Plus Nozzles
- Commonly mounts to the entrance of a Pendulum or Side-to-Side mitter
- Available with either single manifold for maximum impact, or dual manifold for increased surface area coverage

Ordering Information

Item # HYDRAULIC	Price	Description	Mounting	Manifold Configuration	Cleaning Area	Item # ELECTRIC	Price
OMNI10D-SB	\$2695.00	Omni, D/S Bolt On Side Blaster	Driver Side	1 Manifold - 10 Nozzles	Side Surfaces	OMNI10D-SB-E	\$3994.00
OMNI10D-WB	2695.00	Omni, D/S Bolt On Wheel Blaster	Driver Side	1 Manifold - 10 Nozzles	Wheels	OMNI10D-WB-E	3394.00
OMNI10P-SB	2695.00	Omni, P/S Bolt On Side Blaster	Passenger Side	1 Manifold - 10 Nozzles	Side Surfaces	OMNI10P-SB-E	3394.00
OMNI10P-WB	2695.00	Omni, P/S Bolt On Wheel Blaster	Passenger Side	1 Manifold - 10 Nozzles	Wheels	OMNI10P-WB-E	3394.00
OMNI10T	3440.00	Omni, Top Attach Bolt On w/ Plus Noz	Overhead	1 Manifold - 10 Nozzles	Top Surfaces	OMNI10T-E	4139.00
OMNI20D	3725.00	Omni, D/S Bolt On w/Dual Manifolds	Driver Side	2 Manifolds - 20 Nozzles	Side Surfaces	OMNI20D-E	4424.00
OMNI20P	3725.00	Omni, PS Bolt-on w/ Dual Manifolds	Passenger Side	2 Manifolds - 20 Nozzles	Side Surfaces	OMNI20P-E	4424.00
OMNI20T	4575.00	Omni, Top Bolt On w/Dual Manifolds	Overhead	2 Manifolds - 20 Nozzles	Top Surfaces	OMNI20T-E	5274.00
OMNIPOST	300.00	Post, Pair Only w/ Plate, Omni					300.00



Includes 8 high pressure nozzles mounted on two swivel manifolds.



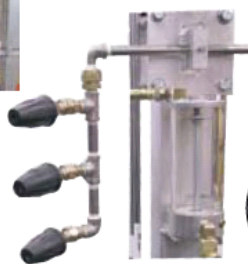
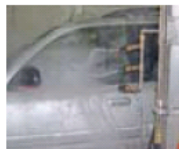
OCTOPUS

SONNY'S Octopus Mirror Blaster

Conserve rinse water and blast detergent from mirrors with SONNY'S Octopus Mirror Blaster with swivel arms

- Wider spray pattern for various heights of different makes and models
- Increase nozzle capacity (8) and maximize water flow to completely flush mirror housing
- Includes fully adjustable passenger and driver manifolds
- Easily attaches to an existing arch frame with included bracket

Item #	Description	Price
OCTOPUS	Mirror Blaster, Swivel DS & PS	\$1299.00



Includes 6 turbo nozzles featuring precision ceramic orifice and matching seat.



Swivel joint provides complete adjustability to aim blaster according to vehicle size and type.

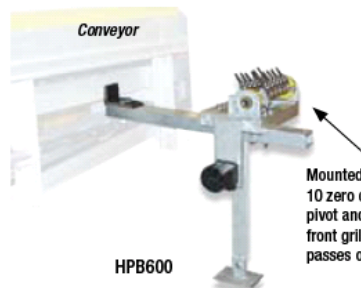
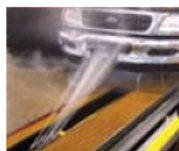
RNSMIRTURBO

SONNY'S Mirror Blaster

Conserve rinse water and blast detergent from mirrors with SONNY'S Mirror Blaster with Turbo Nozzles.

- Includes fully adjustable passenger and driver manifolds.
- Includes 6 turbo nozzles featuring precision ceramic orifice and matching seat
- Easily attaches to an existing arch frame with included bracket
- Completely removes detergent residue resulting in better drying, foam free mirrors, and increased customer satisfaction

Item #	Description	Price
RNSMIRTURBO	Mirror Blaster, Turbo, DS & PS	\$755.00



Mounted in the conveyor pit, 10 zero degree plus nozzles pivot and blast bumpers and front grills clean as vehicle passes over the manifold

HPB600

OMNI Pivoting Bumper Blaster

Blast dirt and bugs from bumper and grills with no need for additional tunnel length.

- Support leg easily adjusts for any conveyor pit depth
- 10 zero degree plus nozzles are fully adjustable for complete coverage
- Independent hydraulic motor pivots manifold for increased coverage
- UHMW bearings require no maintenance
- Low profile mounts at grating level for safety

Item #	Description	Price
HPB600	Bumper Cleaner, OMNI Plus, Single	\$2755.00

SAFETY REQUIREMENTS

1. Only those employees specifically instructed by the location manager will be permitted to enter the wash tunnel to perform inspections or maintenance.
2. Do not enter the wash tunnel when the equipment is operating.
3. Always exercise caution when walking through the wash area, may be slippery conditions.
4. Be cautious when walking through the tunnel to avoid running into or tripping over equipment.
5. Do not ever run through the wash area.
6. Do not perform any work on equipment unless you performed Lock-Out Safety Precautions.
7. When maintenance requires that a piece of equipment be in operation, one qualified maintenance person must stay at the power disconnect switch while that equipment is operating.
8. All electrically powered equipment must have manually operated disconnects capable of being locked in the "OFF" position. Equipment that has been "locked out" for any reason can only be restarted by the person who performed the "lock out" operation.
9. Do not attempt to repair or adjust any pressurized liquid or pneumatic part, hose, pipe or fitting while that equipment is in operation.
10. Any "Stop" switch activated must be reset only by the person who initiated the operation.
11. Electrical connections and repairs are to be performed by a Licensed Electrician only.
12. Store all cleaning and washing solutions and oils in a well ventilated area.
13. Clean up fluid spills immediately to prevent hazardous safety conditions.
14. Be certain to follow all safety procedures on MSDS Sheets for each chemical product used.
15. All new employees must be thoroughly trained in safe operating and maintenance practices.
16. All employees must attend periodically scheduled safety procedure sessions.
17. Do not operate any piece of equipment that requires safety covers with those covers removed or improperly installed.
18. Do not allow any part of your body or other object to come in contact with moving machinery.
19. Do not wear loose fitting clothing or jewelry around moving machinery.
20. At least two qualified maintenance people must be present when performing equipment repairs or preventative maintenance.
21. When working on any equipment that is higher than a person's shoulders always use a fiberglass ladder that is in good condition.

INSTALLATION

Utilities Requirements

UTILITIES INTERCONNECTION AND THE MATERIALS REQUIRED FOR INTERCONNECTION TO SONNY'S EQUIPMENT ARE THE RESPONSIBILITY OF THE CUSTOMER !
PERFORM ALL TRADES WORK TO ALL APPLICABLE LOCAL AND NATIONAL CODES !

Electric

The Customer's Electrician is to provide materials and install single phase power (24VAC or 110VAC...Specify at the time of order) from the tunnel equipment controller to high pressure pump controls, hydraulic power pack control, and the supplied 4-way air solenoid valve on the Air Distribution Manifold.

Pneumatic

The Customer's Plumber is to provide and install a 3/8 inch compressed air line (approximately 6CFM at maximum load) from the air compressor to the supplied 4 way air solenoid valve on the Air Distribution Manifold.

Dimensions

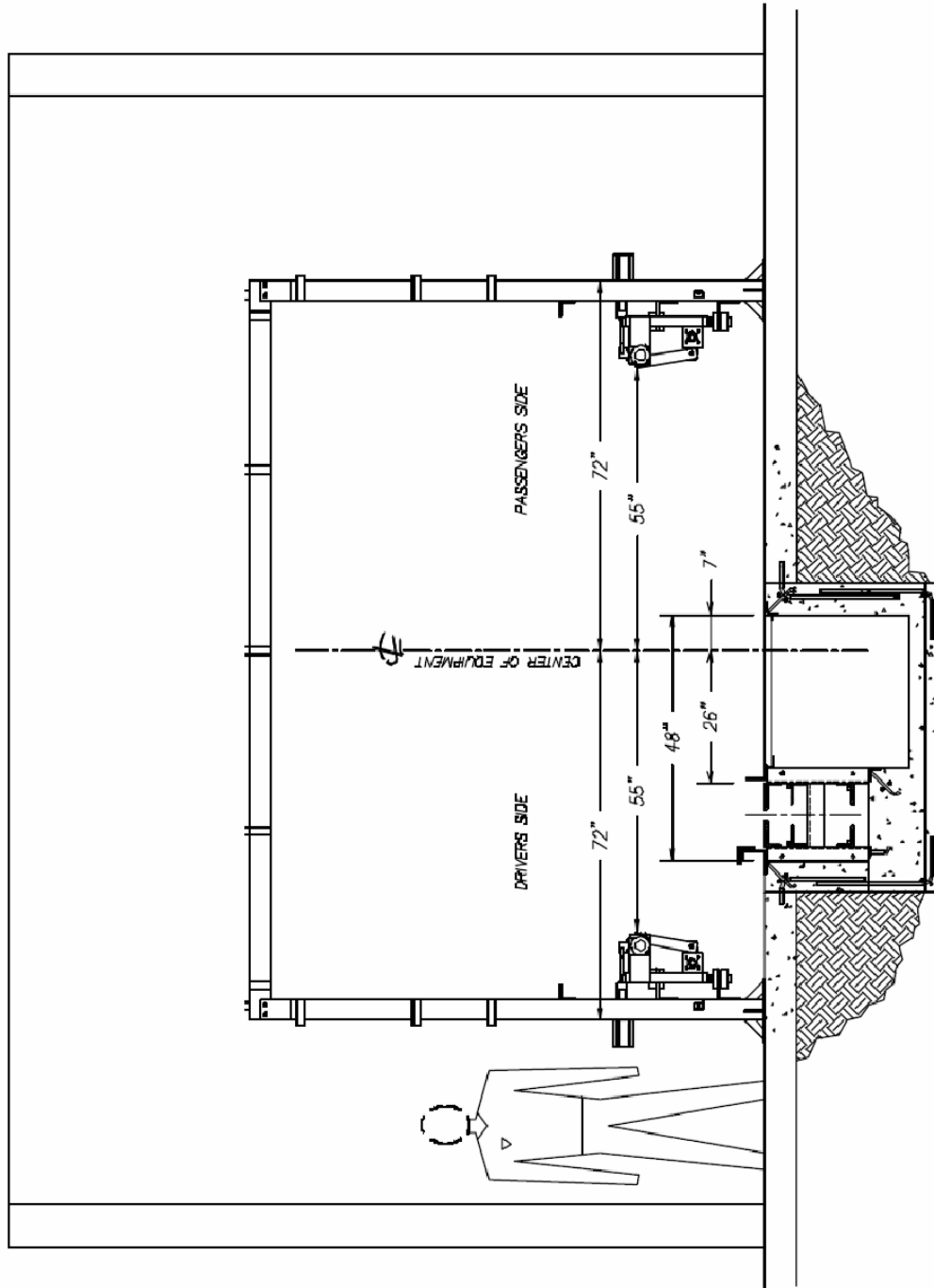


Figure # 1

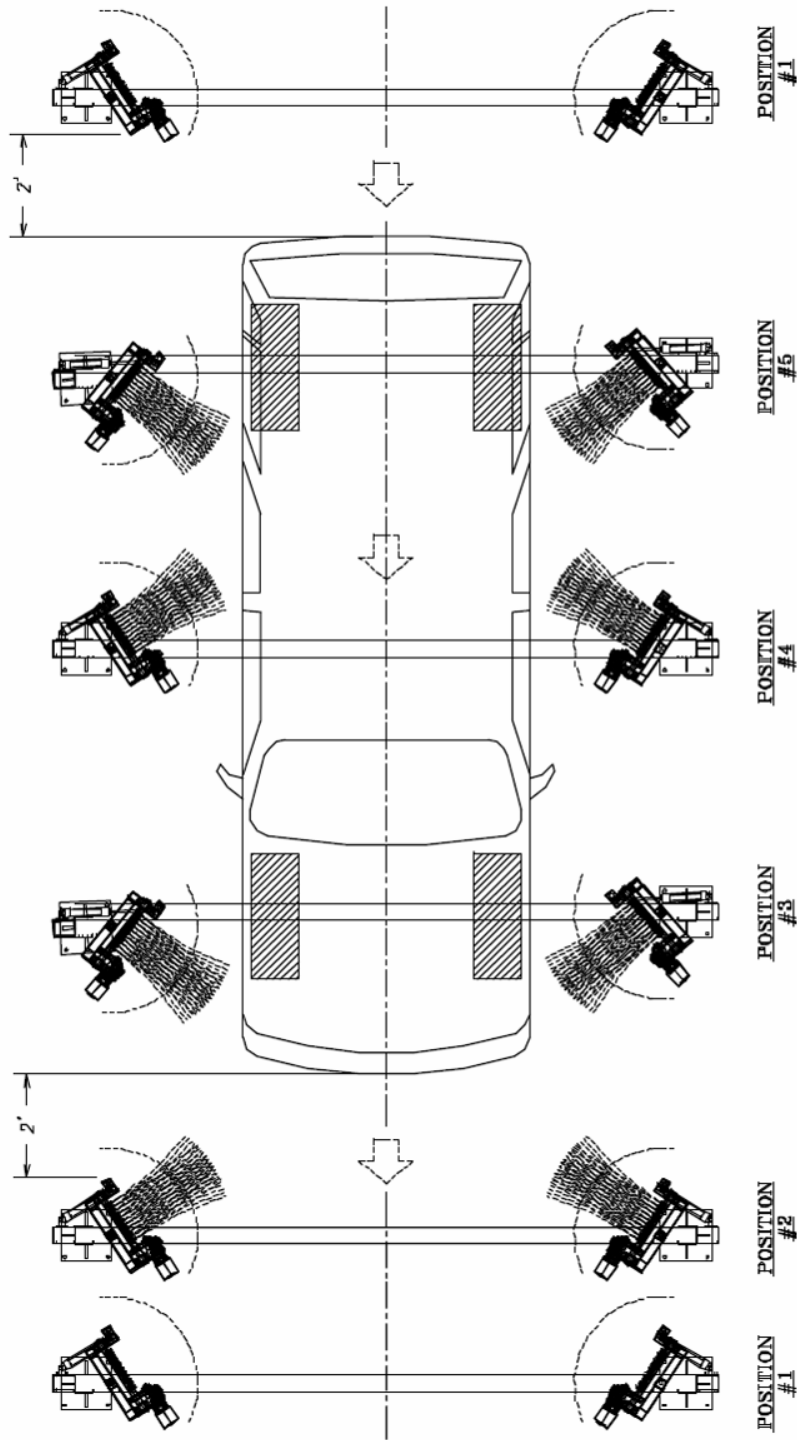


Figure # 2

Equipment Installation

Omni Wash Arch Installation

Installation Tools

1. Safety Glasses
2. 1/2" Drive Ratchet Set
3. Standard Combo Wrenches
4. Standard Screwdriver
5. 1" Hammer Drill
6. Sledge Hammer
7. Tape Measure

Consumables

1. Stainless Shims
2. Teflon Tape
3. Teflon Paste

Manpower

Two (2) men

Time (assuming no problems)

2.00 - 3.00 hours

Installation Steps

1. Determine where the Omni Arch is to be installed.
2. Sweep any debris from where the Omni Arch will sit.
3. Set the Omni side frames in place, to ensure the correct frame is placed on each side, check that the hydraulic motors are facing the tunnel exit.
4. Measure 72" from the center line to the outer edge of the upright frame as pictured in Figure #1 and in the tunnel layout diagram.
5. Install the top frame of the omni arch, leaving the interconnecting hardware slightly loose at this time.
6. Ensure the Omni frame is plumb and square and check positioning measurements using shim as necessary.
7. Secure the passenger side base plate with one floor anchor.
8. Double check the frame is plumb and square and secure the driver side base plate with one floor anchor, then complete the base plates anchoring.
9. Tighten all interconnecting hardware of the top and side frames.
10. Open the needle valves on each cylinder and air reservoir and fill to 3/4 each reservoir with fluid.
11. Physically pivot each manifold back and forth until no more bubbles appear in the reservoir while compressing the cylinder.

12. With the cylinder fully extended the reservoir should be at least $\frac{1}{4}$ filled with fluid.
13. Run and connect the $\frac{3}{8}$ " air lines from the air distributor to the air reservoir and the air cylinder on each Omni manifold. Apply air pressure to each manifold and ensure the position at rest is same as position #1 in Figure #2.
14. Run and connect the $\frac{1}{2}$ " hydraulic supply and return lines from the frame to the hydraulic power packs for the top and side manifolds.
15. Hydraulic requirements are approximately 3GPM at 75RPM; motors may rotate clockwise or counterclockwise.
16. Run and connect the high pressure water lines from the HP pump station to the Omni manifolds.

Adjustments and Testing

Test Water, Hydraulic and Air

Using the 4-way air valves on the air distribution manifold, manually activate each air cylinder and ensure the omni manifold pivots properly and that in the OFF position it is facing as in Position #1 in Figure #2.

At the tunnel equipment controller manually activate the hydraulic pump station for each Omni manifold and ensure it oscillates the manifold smoothly and there are no leaks. The speed of the motors should be adjusted for 60 to 70 cycles per minute.

At the tunnel equipment controller manually activate the high pressure water pump station for each Omni manifold and ensure the nozzles operate properly and there are no leaks. Water pressure should read approximately 800PSI with all manifolds activated.

Tunnel Controller Programming

For Wheel Manifolds set the programming as follows (refer to Figure # 2)

1. Position #1. The high pressure water pump and hydraulic power pack start operating 2 feet front the front of the vehicle with the side Omni manifolds facing the oncoming vehicle.
2. Position #2. As the front tires come in range the 4-way air valve should be activated and the Omni manifolds should track the front tires as they pass by. The needle valve on the air/fluid reservoir can be adjusted to control the speed of the tracking.
3. Position #3. As the front tires pass outside of the range of the spray pattern the 4-way air valve should deactivate, allowing the manifold to return to its forward position. The plastic air valve can be adjusted to prevent the manifold from slamming against the stop.
4. Position #4. As the rear tires come in range the 4-way air valve should be activated and the Omni manifolds should track the rear tires as they pass by.
5. Position #5. As the rear of the vehicle passes outside of the range of the spray pattern the 4-way air valve should deactivate, allowing the manifold to return to its forward position. High pressure water pump and the hydraulic power pack should also shut down unless there is another vehicle within 10' of coming into range.

For Top and Side Window Manifolds set the programming as follows

1. Position #1. The high pressure water pump and hydraulic power pack start operating 2 feet from the front of the vehicle with the top and side window Omni manifolds facing the oncoming vehicle.
2. Position #2. After the windshield moves out of range of the spray pattern the 4-way air valve for the top Omni manifold should activate and the manifold should move to the

rear facing position to clean the rear window as it passes. The needle valve on the air/fluid reservoir can be adjusted to control the speed of the tracking to occur quick enough to get the rear window on a pickup truck.

3. Position #3. As the rear of the vehicle passes outside of the range of the spray pattern the 4-way air valve should deactivate, allowing the manifold to return to its forward position. High pressure water pump and the hydraulic power pack should also shut down unless there is another vehicle within 10' of coming into range.

For Mirror Blaster Option set the programming as follows

1. The 2-way high pressure water valve should switch the high pressure water from the top Omni manifold to the Mirror Blaster Option as the vehicle's mirrors come within range of the Mirror Blaster nozzles.
2. With the proper adjustments to timing and aiming of the nozzles the mirror rinse could happen at the same time the top manifold is being rotated from the front facing position to the rear facing position. This would reduce the loss of cleaning action on the roof of the vehicle.

GENERAL OPERATION

Omni Manifolds

Starting and stopping Omni manifold oscillation is controlled by the Customer's equipment programmer signal to the motor starter coil controlling three phase power to the Customer's hydraulic power pack that is plumbed to the hydraulic motors. The speed of the oscillation of the motor(s) being driven may be changed by the flow control valve on the hydraulic power pack.

The needle valves on the reservoir and cylinder can be adjusted to track the wheels of the vehicle accurately increasing the cleaning time on the wheels.

PREVENTIVE MAINTENANCE

DAILY

1. Check all lines and fittings for leaks. Repair, or replace, as needed.
2. Check for proper operation, listening for any unusual noises and checking for proper tracking.

WEEKLY

1. Carefully check the reservoirs and air cylinders; and ensure the reservoirs are at least $\frac{1}{4}$ full when the cylinder is fully extended.
2. Inspect the spray nozzles for excessive wear, replace if necessary.

FOR THE FIRST MONTH OF OPERATION CHECK ALL HYDRAULIC FITTINGS FOR TIGHTNESS EACH WEEK. PERFORM THIS INSPECTION TO THE SCHEDULE SHOWN BELOW AFTER THE FIRST MONTH OF OPERATION.

MONTHLY

1. Check all plastic bushings for wear and schedule replacement if necessary.
2. Inspecting all hardware and fittings for tightness.
3. Thoroughly clean the framework and manifolds.

ANNUALLY

1. Drain, flush and refill fluid in the reservoir and air cylinder, use Grade ISO #32 oil or Non-toxic Antifreeze.

PARTS LIST



Hydraulic Motors



- Torqmotor MF Series Roller Van Motor
- Provides reliable, efficient performance & long-term economy

Item #	Description	Price
MF060910AAAC	Motor, Hydraulic TRW Ross Parker	\$231.69
CL101-1003-009	Motor, Char-Lynn H-Plus, 1/2In Ring	192.65



HPB500DRA
(Side Blaster)



OMWBDR
(Wheel Blaster)



OMNDRIVBLOCK
(Top Blaster)



Item #	Description	Price
HPB500DRA	Omni Drive Block, 1In Thick (Side Blaster)	\$40.50
OMWBDR	Wheel Blaster Drive Block, 2In Thick (Wheel Blaster)	48.00
OMNDRIVBLOCK	Omni, Motor Drive Block (Top Blaster)	40.50



OMNMAN10

OMNI Manifolds



Item #	Description	Price
OMN200MANIFOLD	Omni 200, Manifold 4 Nozzle	\$175.05
OMNMAN10	Omni, Manifold 10 Nozzle for 150 & 350	205.95
OMNSIDESPIN	Omni, Manifold for Spinner 2 Hole	174.10
900020M	Nozzle, HSS General HP 0deg #02 1/4In	2.76
900040M	Nozzle, HSS General HP 0deg #04 1/4In	2.76



RRCLMT38214



KQ2L11-35S

Cylinder

7/16In male



A550



RDEY516234

Item #	Description	Price
A550	Cylinder, 1 1/2In Bore x 6In Stroke	\$78.98
RRCLMT38214	Rear Clevis Mount, 3/8In x 2 1/4In	22.00
RDEY516234	Rod Eye, 5/16In x 2 3/4In w/o Spacers	19.99
KQ2L11-35S	Elbow, Swivel 3/8In Tube x 1/4In NPT SMC	2.55

Shaft & Rubber Stop



H151M

FL0720830



Item #	Description	Price
H151M	Rubber Stop, 1 1/2In x 1 1/4In	\$7.25
FL0720830	Omni, Manifold Water Hose	14.95



Oil Reservoir

8 15/16In x 3 1/2In - 3/8In Ports

For use on: • OMNI Units

Item #	Description	Price
AOR2053-3	Reservoir, Oil 80PSI Maximum	\$75.30
EF25B	Flow Control, 3/8In Brass	39.20
F03	Valve, Air Flow Control 3/8In	29.99



HPB500BSH



OMNCONARM



OMNSPDRARM

Drive Arm Old Style



Item #	Description	Price
HPB500BSH	Bushing, Plastic 5/8 ID	\$4.49
OMNCONARM	Omni Drive Arm Complete 1In x 2In x 12In	69.00
OMNARMPIN	Omni Drive Arm Pin, with Nut	10.25
OMNSPDRARM	Omni Drive Clamp Complete, 2In x 6In x 1In	49.00
OMNBSKTARM	Omni Drive Arm Complete 1/2 x 2In x 14In	67.00



OMNPLBRG150

Bearings - Collars



Item #	Description	Price
OMNPLBRG150	Bearing, Plastic Omni 2-Bolt 1 1/2In	\$4.95
16S	Collar, 1pc 1In Split	3.95



OMNTUBNOZKIT02



OMNTUB

Omni Tube Nozzles



- Aerates the water stream
- Increases water impact
- Provides maximum cleaning



TP0002EG



10-298F

Item #	Description	Price
OMNTUBNOZKIT02	Omni, Nozzle Kit w/ 02 Nozzle Tip	\$45.00
OMNTUBNOZKIT04	Omni, Nozzle Kit w/04 Nozzle Tip	45.00
TP0002EG	Nozzle, Wash Jet 0002 EG	9.00
TP0004EG	Nozzle, Wash Jet 0004 EG	9.00
10-298F	Elbow, Forged 1/2In JIC x 1/4In NPT	2.85
OMNTUB	Omni, Tube Only Stainless Steel	30.80

CUSTOMER SERVICE

Please contact SONNY'S Equipment Department for installation and/or operational questions regarding this piece of equipment.

Please refer to the Parts list in this manual or our Parts Catalog and contact SONNY'S Customer Service Order Entry Department for any replacement parts for this piece of equipment.

For Equipment Repairs please visit the web at www.sonnysdirect.com/manuals.

DEPARTMENT

Toll Free Main Line
Equipment Department

PHONE NUMBERS

800-327-8723
954-720-4100

FAX NUMBERS

800-495-4049
954-720-9292

Or you can email Sales at sales@sonnysdirect.com

Thank you for being a SONNY'S car wash equipment owner!

From all of us here at

