



# Coin Vacuum



# Manual

Sonny's Enterprises, Inc.  
5605 Hiatus Road  
Tamarac, Florida 33321

## \*Table of Contents\*

<b>*INTRODUCTION*</b> .....	3
<b>Product Specifications</b> .....	4
<b>Optional Related Equipment</b> .....	5
<b>*SAFETY REQUIREMENTS*</b> .....	7
<b>*INSTALLATION*</b> .....	8
<b>Utilities Requirements</b> .....	8
<b>Dimensions</b> .....	9
<b>Equipment Installation</b> .....	12
<b>Vacuum Installation</b> .....	12
<b>Adjustments and Testing</b> .....	13
<b>Timer Charts</b> .....	14
<b>*GENERAL OPERATION*</b> .....	16
<b>*PREVENTIVE MAINTENANCE*</b> .....	17
<b>*COMMON REPAIRS*</b> .....	18
<b>Replace Filter Bag</b> .....	19
<b>Replace Motor</b> .....	20
<b>Replace Timer</b> .....	21
<b>Replace Coin Acceptor</b> .....	22
<b>*EXPLODED VIEWS*</b> .....	23
<b>*PARTS LIST*</b> .....	25
<b>*CUSTOMER SERVICE*</b> .....	29

# \*INTRODUCTION\*

This Owner's Manual contains information that is vital to the successful installation, operation and maintenance of your SONNY'S Vehicle washing equipment.

Please read, and understand, the full contents of this manual before installation and operation of the equipment. Keep this booklet in a location where it may be used for ongoing reference.

Should you have any questions on the operation of servicing of this equipment please contact

TECHNICAL SERVICES DEPT.  
SONNY'S ENTERPRISES INC.  
5605 Hiatus Road  
TAMARAC, FLORIDA  
TELEPHONE: 800-327-8723    FAX: 800-495-4049.

THANK YOU FOR YOUR CONFIDENCE IN SONNY'S !!!!!



## **Product Specifications**

- 2 or 3 – 1.6 HP 110/220VAC Ametek Motors.
- 4 quick-change filter bags.
- 2 service doors for better service access.
- Imonex coin acceptors take quarters.
- Stainless steel dome or lighted dome available.
- 2" x 15' hose with swivel cuff and nozzle.

## Optional Related Equipment



VJ9210LD

### 2-Door Standard Vacuum



- 2 or 3 - 1.6 HP, 110 volt Ametek motors
- 4 quick-change filter bags
- 2 service doors
- Imonex coin acceptor, takes quarters
- Stainless steel dome or lighted dome available in dark green, yellow, white, light green, blue, and red
- Hose: 2in X 15ft, swivel cuff and nozzle, optional 1 1/2in available
- Optional security accessories, colored decals, timers, coin mechs, cycle counters, coin counters, motors, colored hoses, and clean-out bag are available

Item #	Description	Price
VJ9200	Super Vac, 2 motors, small SS dome, shipping weight: 140 lb.	CALL
VJ9200-220	Super Vac, 2 - 220 volt motors, small SS dome, shipping weight: 140 lb.	CALL
VJ9210	Super Vac, 2 motors, large SS dome, shipping weight: 150 lb.	CALL
VJ9210LD	Super Vac, 2 motors, lighted dome, shipping weight: 140 lb.	CALL
VJ9213	Super Vac, 3 motors, large SS dome, shipping weight: 155 lb.	CALL
VJ9213LD	Super Vac, 3 motors, lighted dome, shipping weight: 150 lb.	CALL



VJ9200VR  
Open

### Vault Ready Vacuum



- 2 - 1.6 HP, 110 volt Ametek motors
- 4 quick-change filter bags
- 110 volt timer standard, 220 volt optional
- Small stainless steel dome
- Imonex coin acceptor, takes quarters
- Stainless steel dome or lighted dome available in dark green, yellow, white, light green, blue, and red
- Hose: 2in X 15ft, swivel cuff and nozzle, optional 1 1/2in available
- Optional security accessories, timers, coin mechs, cycle counters, coin counters, motors, colored hoses, and clean-out bag are available

Item #	Description	Price
VJ9200VR	Super Vac, 2 motors, small SS dome, vault ready, shipping weight: 135 lb.	CALL
VJ9210VR	Super Vac, 2 motors, large SS dome, vault ready, shipping weight: 145 lb.	CALL
VJ9210LD-VR	Super Vac, 2 motors, lighted dome, vault ready, shipping weight: 135 lb.	CALL
VJ9213VR	Super Vac, 3 motors, large SS dome, vault ready, shipping weight: 145 lb.	CALL
VJ9213LD-VR	Super Vac, 3 motors, lighted dome, vault ready, shipping weight: 140 lb.	CALL



VJ28000

### Ultra Series Combination Vacuum

- Easy-to-use rotary switch to select services
- 5 service doors for easy access to filter bags, shampoo/spot/fragrance, clean-out bin, coin box and meter panel door
- ULTRA maximum security with Medeco locks (2 for control door, 2 for the coin storage door, 1 for the internal locking coin box, and 2 for the bottom service compartment)
- 4 quick-change filter bags
- Electronic multi coin acceptor
- Industry's most powerful 2 HP air compressor
- Mars Series 2000 bill acceptor takes \$1 & \$5 bills
- Highly visible, easy-to-read large digital display timer scrolls messages, calculates time between functions, recalculates remaining time when switched during any function, built-in coin counter

28000 Series Vacuums are ETL and cETL Approved

Item #	Description	Price	* Model Option No.
VJ28000	2 Motor Vac, 3 Motor Turbo Vac, Shampoo Machine, Spot Remover, 3 Fragrances, Air Machine, shipping weight: 368 lb.	CALL	-2 No Bill acceptor VR Vault ready
VJ28001	2 Motor Vac, 3 Motor Turbo Vac, Shampoo Machine, Spot Remover, 3 Fragrances, shipping weight: 338 lb.	CALL	-2VR No bill acceptor, vault ready
VJ28002	2 Motor Vac, 3 Motor Turbo Vac, Shampoo Machine, Spot Remover, shipping weight: 317 lb.	CALL	
VJ28003	2 Motor Vac, Shampoo Machine, Spot Remover, 3 Fragrances, shipping weight: 333 lb.	CALL	

\* When ordering a vac with optional features from this series, combine the model # with the model option #. For example, a 28000-2VR is a 2 motor vac, 3 motor turbo vac, shampoo machine, spot remover, 3 fragrances, air machine WITH no bill acceptor and is vault ready



VJ9200-11



VJ9200-12



VJ9200-13

### Colored Decal

#### Options

- Durable, UV protected, fade-resistant vinyl
- 10-piece vinyl decal set, sold as complete kit only
- Covers maximum surface area for widest exposure
- Works with the following vacuums (stainless steel dome and lighted dome models) at this time: 9200 series, 9210 series, 9213 series, 9200-1 series, 9200-3 series, and 9209 series
- \* \$93.75 if purchased separately

\*Price when purchased with a vacuum

Item #	Description	Price
* VJ9200-11	Decal, Vacuum 11 Series Yellow	CALL
* VJ9200-12	Decal, Vacuum 12 Series Blue	CALL
* VJ9200-13	Decal, Vacuum 13 Series Violet	CALL



Item #	Description	Price
VJ8306	Vacuum, Lighted Dome	CALL

### Lighted Dome

Fits all J.E. Adams vacuums and vacuum combinations, available in dark green, yellow, white, light green, blue, and red, shipping weight: 6 lb. 7 oz.



## **\*SAFETY REQUIREMENTS\***

1. Only those employees specifically instructed by the location manager will be permitted to enter the wash tunnel to perform inspections or maintenance.
2. Do not enter the wash tunnel when the equipment is operating.
3. Always exercise caution when walking through the wash area, may be slippery conditions.
4. Be cautious when walking thru the tunnel to avoid running into or tripping over equipment.
5. Do not ever run through the wash area.
6. Do not perform any work on equipment unless you performed Lock-Out Safety Precautions.
7. When maintenance requires that a piece of equipment be in operation, one qualified maintenance person must stay at the power disconnect switch while that equipment is operating.
8. All electrically powered equipment must have manually operated disconnects capable of being locked in the "OFF" position. Equipment that has been "locked out" for any reason can only be restarted by the person who performed the "lock out" operation.
9. Do not attempt to repair or adjust any pressurized liquid or pneumatic part, hose, pipe or fitting while that equipment is in operation.
10. Any "Stop" switch activated must be reset only by the person who initiated the operation.
11. Electrical connections and repairs are to be performed by a Licensed Electrician only.
12. Store all cleaning and washing solutions and oils in a well ventilated area.
13. Clean up fluid spills immediately to prevent hazardous safety conditions.
14. Be certain to follow all safety procedures on MSDS Sheets for each chemical product used.
15. All new employees must be thoroughly trained in safe operating and maintenance practices.
16. All employees must attend periodically scheduled safety procedure sessions.
17. Do not operate any piece of equipment that requires safety covers with those covers removed or improperly installed.
18. Do not allow any part of your body or other object to come in contact with moving machinery.
19. Do not wear loose fitting clothing or jewelry around moving machinery.
20. At least two qualified maintenance people must be present when performing equipment repairs or preventative maintenance.
21. When working on any equipment that is higher than a person's shoulders always use a fiberglass ladder that is in good condition.

# **\*INSTALLATION\***

## **Utilities Requirements**

**UTILITIES INTERCONNECTION AND THE MATERIALS REQUIRED FOR INTERCONNECTION TO SONNY'S EQUIPMENT ARE THE RESPONSIBILITY OF THE CUSTOMER !  
PERFORM ALL TRADES WORK TO ALL APPLICABLE LOCAL AND NATIONAL CODES !**

### **Electric**

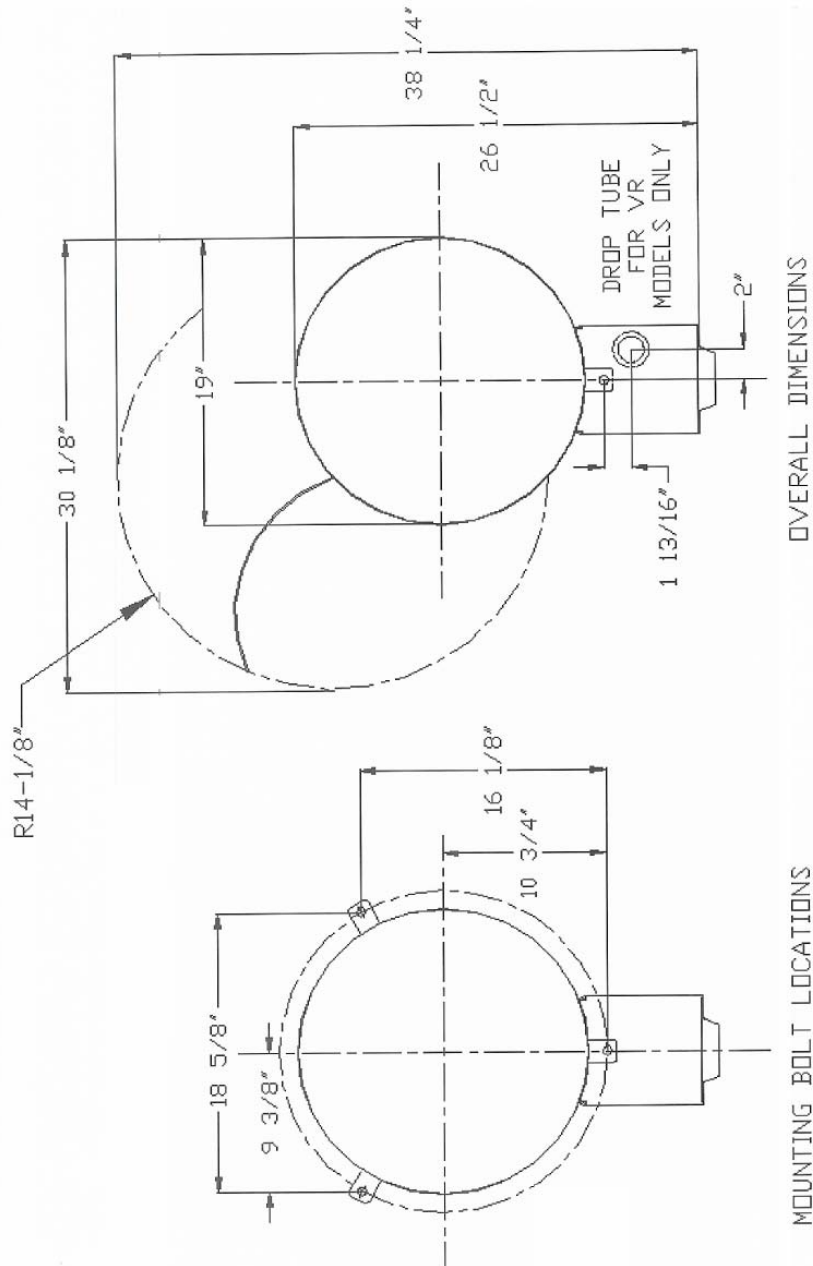
- The Customer's Electrician is to provide materials and install single phase power 110/220VAC 60 Hz to the vacuum through properly sized circuit breakers.

**BE CERTAIN THAT ALL ELECTRIC MOTORS ARE PROPERLY WIRED FOR THE SUPPLY VOLTAGE BEING USED!**

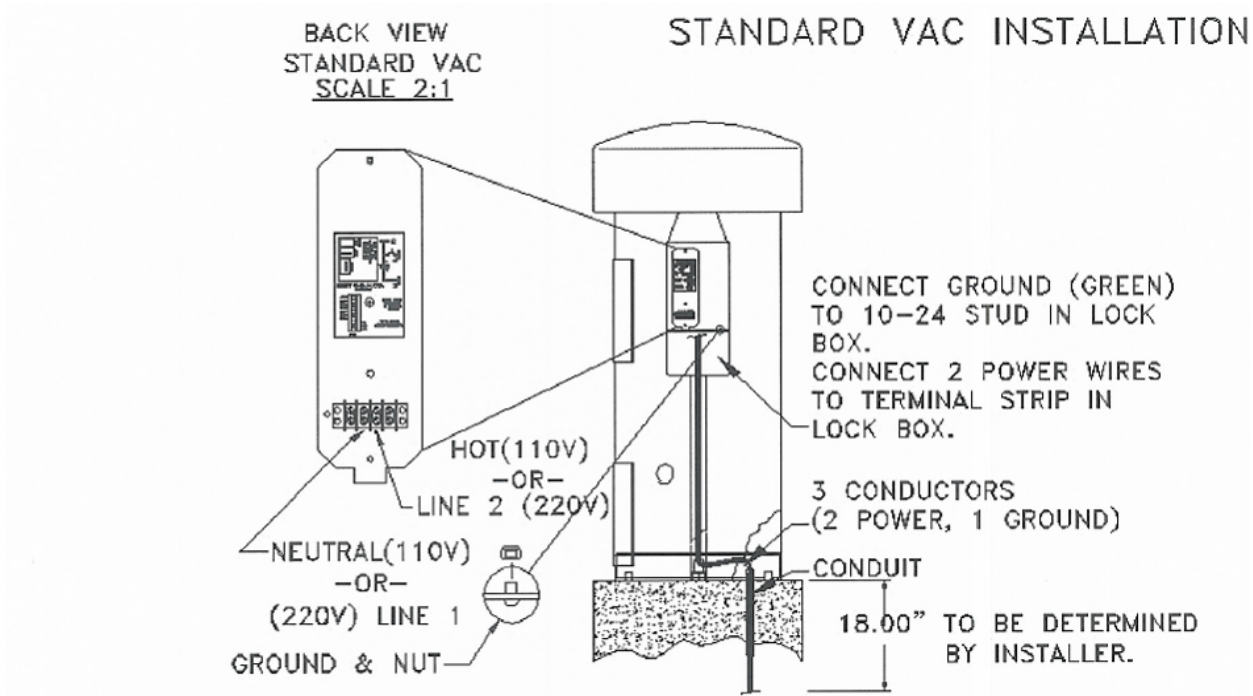
### **Concrete**

- Minimum of 4" of concrete required around mounting studs and 18" minimum height recommended to provide bumper clearance.

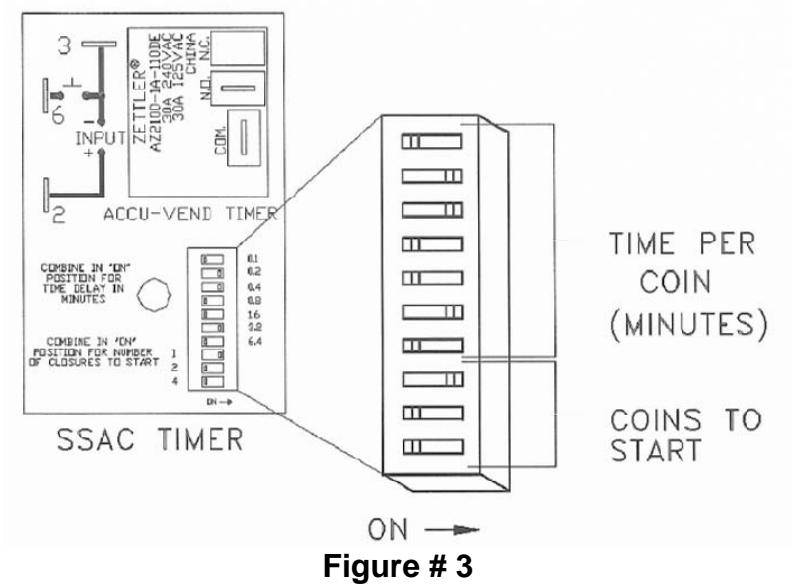
# Dimensions



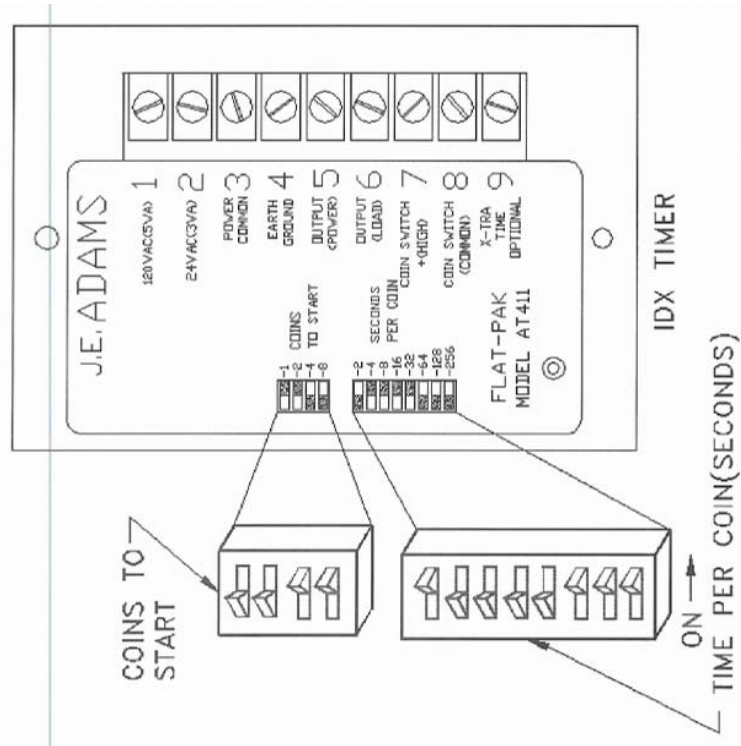
**Figure # 1**



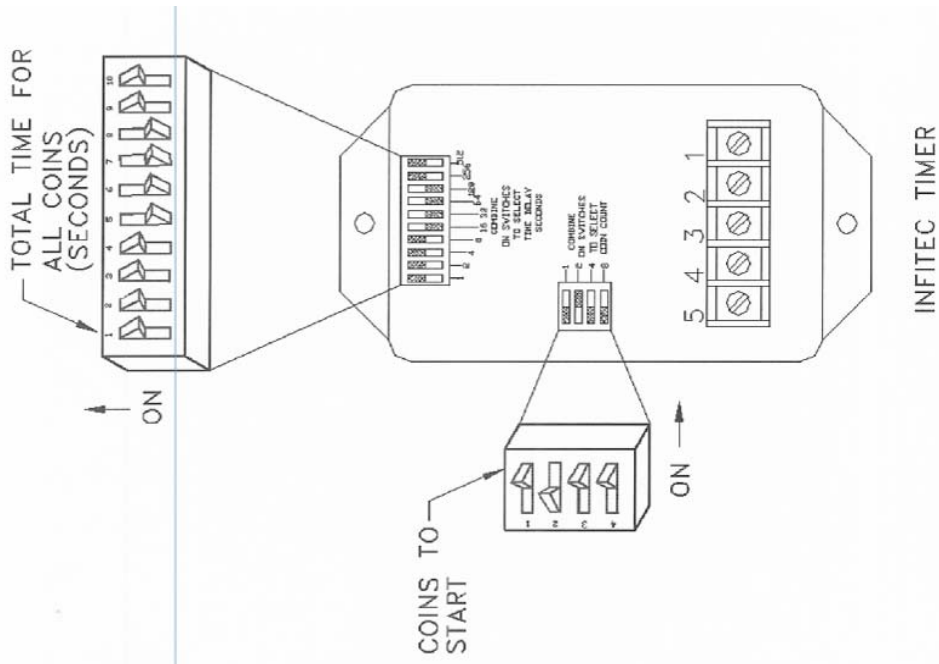
**Figure # 2**



**Figure # 3**



**Figure # 4**



**Figure # 5**

# Equipment Installation

## Vacuum Installation

### Tools

1. Safety Glasses
2. 1/2" Drive Ratchet Set
3. Standard Combo Wrenches
4. 1" Hammer Drill
5. Tape Measure

### Consumables

None

### Manpower

Two (2) men

### Time (assuming no problems)

0.50 - 1.00 hours

### Installation Steps

1. Determine where the Vacuum is to be installed.
2. Sweep any debris from where the Vacuum will sit.
3. Set the Vacuum in place and lag to base.

# Adjustments and Testing

## Setting Run Time

- A. Decide the amount of money you want the customer to deposit to start the vacuum and how much vacuuming time you want the customer to receive for that amount of money. For instance deposit 2 quarters for 8 minutes.
- B. All timers will have settings for how many quarters it takes to start the vacuum, so this will remain consistent for different timers. The only thing that will change is the total number of quarters you may set. The SSAC and IDX timers only allow from 1 to 7 coins, where the INFITEC will allow up to 15 coins (see figures 3, 4, and 5).
- C. The time settings will vary from one manufacturer to another. (see Timer Charts section)
  1. Some (SSAC and IDX) will have you set the amount of time each coin will deliver, while others (INFITEC) will have you set the total amount of time for the total coins deposited.
  2. Also the amount of time each switch represents will vary
    - a. For the SSAC Timer the switches start at 6 seconds and double moving up to a maximum with all switches on of 12 minutes and 42 seconds per coin.
    - b. For the IDX Timer the switches start at 2 seconds and double moving up to a maximum with all switches on of 8 minutes and 30 seconds per coin.
    - c. For the INFITEC Timer the switches start at 1 second and double moving up to a maximum with all switches on of 17 minutes and 3 seconds total run time.

# Timer Charts

All Timers				
Switches				Coins to Start
1	2	4	8	
x				1
	x			2
x	x			3
		x		4
x		x		5
	x	x		6
x	x	x		7
			x	8
x			x	9
	x		x	10
x	x		x	11
		x	x	12
x		x	x	13
	x	x	x	14
x	x	x	x	15

SSAC Timers							
Switches							Time Setting
0.1	0.2	0.4	0.8	1.6	3.2	6.4	
x							6 sec
	x						12 sec
x	x						18 sec
		x					24 sec
x		x					30 sec
	x	x					36 sec
x	x	x					42 sec
			x				48 sec
x			x				54 sec
	x		x				1.0 min
x	x		x				1.1 min
		x	x				1.2 min
x		x	x				1.4 min
x	x	x	x				1.5 min
				x			1.6 min
x				x			1.7 min
	x			x			1.8 min
x	x			x			1.9 min
		x		x			2.0 min
x			x	x			2.5 min
	x	x	x	x			3.0 min
x	x				x		3.5 min
			x		x		4.0 min
x		x	x		x		4.5 min
	x			x	x		5.0 min
x	x	x		x	x		5.5 min
		x	x	x	x		6.0 min
x						x	6.5 min
	x	x				x	7.0 min
x	x		x			x	7.5 min
				x		x	8.0 min
x		x		x		x	8.5 min
	x		x	x		x	9.0 min
x		x	x	x		x	9.5 min
		x			x	x	10 min

INFITEC and IDX Timers										
Switches										* (INFITEC only)
1	2	4	8	16	32	64	128	256	512*	Time Setting
X		X								5 sec
	X		X							10 sec
X	X	X	X							15 sec
		X		X						20 sec
X			X	X						25 sec
	X	X	X	X						30 sec
	X				X					35 sec
			X		X					40 sec
X		X	X		X					45 sec
	X			X	X					50 sec
		X	X	X	X					60 sec (1 min)
						X				70 sec
				X		X				80 sec
	X		X	X		X				90 sec
		X			X	X				100 sec
	X	X	X		X	X				110 sec
			X	X	X	X				120 sec (2 min)
	X						X			130 sec
		X	X				X			140 sec
	X	X		X			X			150 sec
					X		X			160 sec
	X		X		X		X			170 sec
		X		X	X		X			180 sec (3 min)
	X	X	X	X	X		X			190 sec
			X			X	X			200 sec
	X			X		X	X			210 sec
		X	X	X		X	X			220 sec
	X	X			X	X	X			230 sec
				X	X	X	X			240 sec (4 min)
	X		X	X	X	X	X			250 sec
		X						X		260 sec
	X	X	X					X		270 sec
			X	X				X		280 sec
	X				X			X		290 sec
		X	X		X			X		300 sec (5 min)
			X		X	X		X		360 sec (6 min)
		X			X		X	X		420 sec (7 min)
					X	X	X	X		480 sec (8 min)
		X	X	X					X	540 sec (9 min)*
			X	X		X			X	600 sec (10 min)*
		X		X			X		X	660 sec (11 min)*
				X		X	X		X	720 sec (12 min)*
		X	X					X	X	780 sec (13 min)*
			X			X		X	X	840 sec (14 min)*
		X					X	X	X	900 sec (15 min)*

## **\*GENERAL OPERATION\***

The vacuum motors create suction to remove dirt and debris from the interior of the vehicle. The debris will fall to the bottom of the trash separator and the dirt will be caught by the filter bags to prevent premature motor failure.

# **\*PREVENTIVE MAINTENANCE\***

## **DAILY**

1. Check each vacuum proper operation, listening for any unusual noises and correct the cause of any unusual vibration.
2. Knock loose debris from filter bags and remove trash from the bottom of canister.
3. Clean the outside of canister with a stainless steel polish. Mild soap and water can be used to clean the decals without damage. Do NOT use any kind of abrasive cleaners, steel wool, or brush to clean the exterior or decals, doing so could damage the finish.

## **WEEKLY**

1. Check vacuum hoses, nozzles, and door gaskets for signs of wear or damage and replace as necessary.

## **MONTHLY**

1. Remove filter bags, clean thoroughly and reinstall.
2. Remove motor cover and clean dust and dirt from the motors.
3. Check the motor gasket for signs of wear or damage and replace as necessary.
4. Check dome light on some models and replace when necessary with 13 Watt compact fluorescent lights.
5. Inspecting all hardware and fittings for tightness.

## **\*COMMON REPAIRS\***

- Replace Filter Bags (1)**
- Replace Motor (2)**
- Replace Timer (3)**
- Replace Coin Acceptor (4)**
- Observe Central Vacuum System (5)**

### Replace Filter Bag

#### Tools

1. Safety Glasses
2. ½" Drive Ratchet Set
3. Standard Combo Wrenches
4. Standard Screwdriver

#### Consumables

1. Penetrating Oil

#### Manpower

One (1) man

#### Time (assuming no problems)

0.50 - 1.00 hours

#### Replacement Parts

Qty	Name of Replacement Part	Product Part Number
1	Filter Bag Assembly	8074

#### Repair Steps

1. Shut off the breaker in the panel and tag out.
2. Open the upper service door.
3. Unhook the filter bag from the top of the vacuum, squeeze the filter bag internal gasket and remove from the vacuum.

**Note:** When replacing the filter bags it can be difficult to fit the internal gasket into the vacuum properly. Be sure to check that the internal gasket is in place before operating the vacuum.

4. Set the new filter bag in place.
5. Close the upper service door.
6. Turn on the breaker in the panel.
7. Start the vacuum.
8. Shut the breaker off and check the new filter bags.

### Replace Motor

#### Tools

1. Safety Glasses
2. ½" Drive Ratchet Set
3. Standard Combo Wrenches
4. Putty Knife

#### Consumables

None

#### Manpower

One (1) man

#### Time (assuming no problems)

0.50 – 1.00 hours

#### Replacement Parts

Qty	Name of Replacement Part	Product Part Number
1	GS Vacuum Motor	VJ8054
1	Motor Gasket	VJ8057

#### Repair Steps

1. Shut off the breaker in the panel and tag out.
2. Remove the dome.
3. Disconnect the wiring to the motor.
4. Remove the motor mount nut and 2-motor bracket. Set aside for reinstallation.
5. Remove the old motor and set aside.
6. Scrape off the old motor gasket and apply the new motor gasket to the vacuum.
7. Set the new motor onto the new motor gasket.

**Note:** Check to ensure that the motor is properly seated onto the gasket before securing it in place.

8. Set the 2-motor bracket in place and secure it with the motor mount nut.
9. Reconnect the wiring to the motor.
10. Replace the dome.
11. Turn the breaker on and activate the vacuum to see if the new motor is working.

### Replace Timer

#### Tools

1. Safety Glasses
2. ½" Drive Ratchet Set
3. Standard Combo Wrenches
4. Philips Screwdriver
5. Standard Screwdriver

#### Consumables

None

#### Manpower

One (1) man

#### Time (assuming no problems)

0.50 – 1.00 hours

#### Replacement Parts

Qty	Name of Replacement Part	Product Part Number
	Timer	Order appropriate replacement part

#### Repair Steps

1. Shut off the breaker in the panel and tag out.
2. Unlock the faceplate and remove it.

**Note:** The new timer can be damaged if the wiring is incorrect. Carefully label all of the wires connected to the timer.

3. Label the wires on the existing timer.
4. Remove the wires and unbolt the timer.
5. Bolt the new timer into place.
6. Reconnect the wiring that was labeled and removed in Step 4.
7. Set all dip switch settings the same as the old timer.
8. Replace the faceplate and lock it.
9. Turn on the breaker and run the vacuum.

### Replace Coin Acceptor

#### Tools

1. Safety Glasses
2. ½" Drive Ratchet Set
3. Standard Combo Wrenches
4. Philips Screwdriver
5. Standard Screwdriver

#### Consumables

None

#### Manpower

One (1) man

#### Time (assuming no problems)

0.50 – 1.00 hours

#### Replacement Parts

Qty	Name of Replacement Part	Product Part Number
1	Coin Acceptor	Order appropriate replacement part

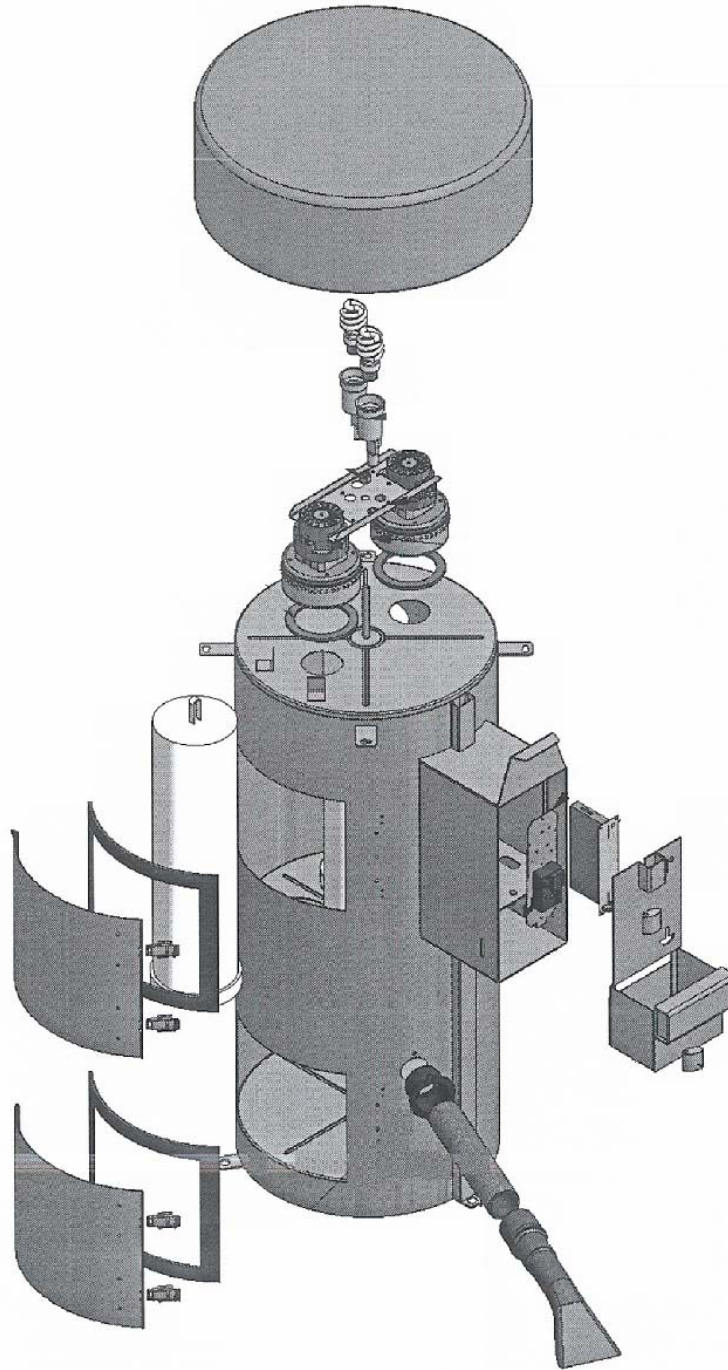
#### Repair Steps

1. Shut off the breaker in the panel and tag out.
2. Unlock the faceplate and remove it. Place all hardware removed in this step in a safe area for re-installation.

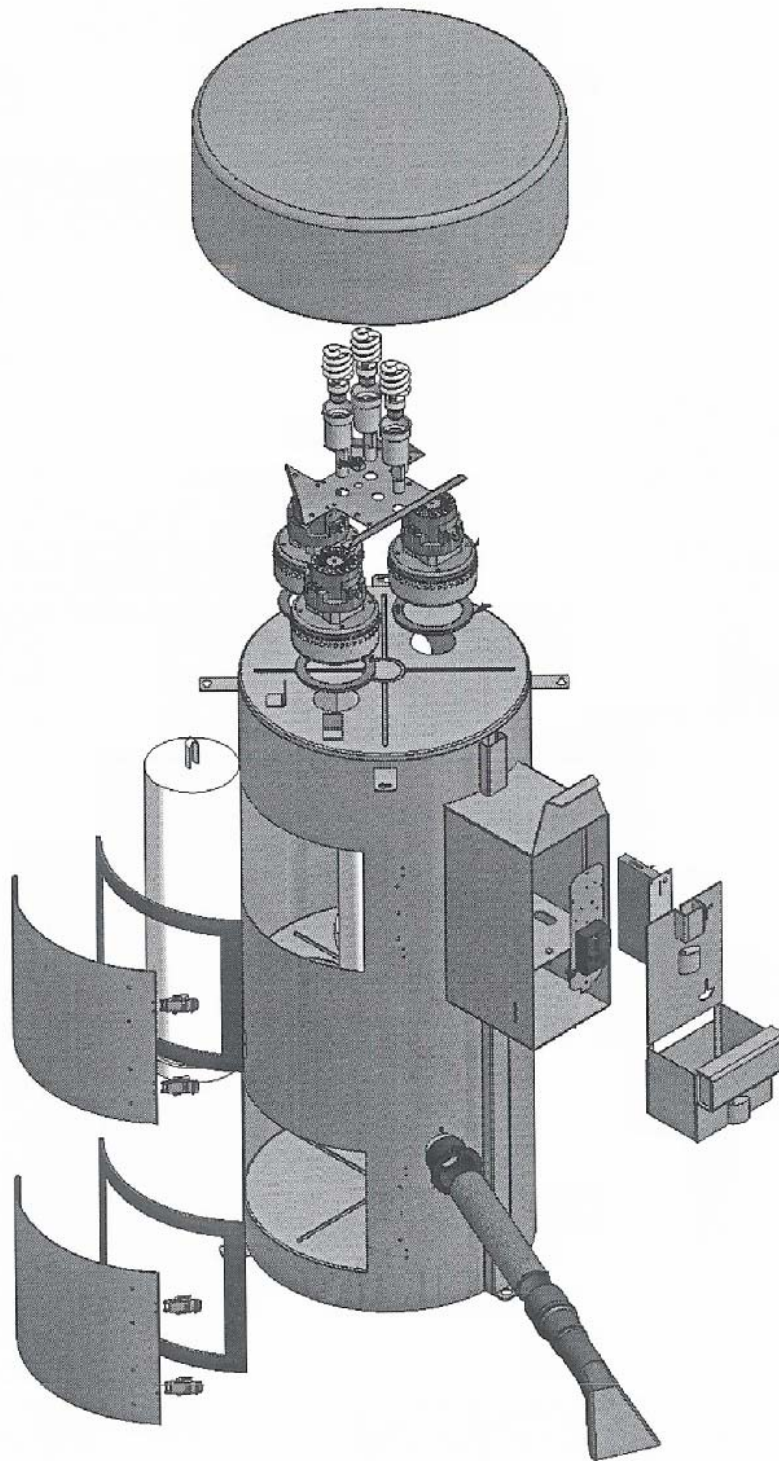
**Note:** The new coin acceptor can be damaged if the wiring is incorrect. Carefully label all of the wires connected to the coin acceptor.

3. Label the wires on the existing coin acceptor.
4. Remove the wires and unbolt the coin acceptor.
5. Bolt the new coin acceptor into place.
6. Reconnect the wiring that was labeled and removed in Step 4.
7. Replace the faceplate and lock it.
8. Turn on the breaker and run the vacuum.

## \*EXPLODED VIEWS\*



**Standard Two Motor Models**



**Standard Three Motor Models**

**\*PARTS LIST\***

**1 1/2in Plastic Vacuum Nozzle  
 12in Long**



Item #	Description	Color	Price
V112P	Nozzle, Vacuum 1 1/2in	Orange	\$1.67
V112PBK	Nozzle, Vacuum 1 1/2in	Black	1.67
V112PGR	Nozzle, Vacuum 1 1/2in	Gray	1.67
V112PY	Nozzle, Vacuum 1 1/2in	Yellow	1.67

**1 1/2in Vacuum Nozzle – 23in Long**



Item #	Description	Color	Price
V112PL	Nozzle, Vacuum 23in Long	Black	\$3.49

**Nozzle Hanger**



VH100



VH101

Item #	Description	Price
VH100	Nozzle Hanger, Stainless Steel	\$29.95
VH101	Nozzle Hanger, Cast Aluminum	24.95
VH100C	Nozzle Hanger, Carpet Only Stainless Ste	2.50

**2in Vacuum Nozzle – 12in Long**



V2PGR

Item #	Description	Color	Price
V2PO	Nozzle, Vacuum 2in	Orange	\$1.67
V2PBK	Nozzle, Vacuum 2in	Black	1.67
V2PGR	Nozzle, Vacuum 2in	Gray	1.67
V2PY	Nozzle, Vacuum 2in	Yellow	1.67



**Inlet Valve for Vacuum**

- Manifold airtight metal valve
- Die-cast body / satin chrome-plated
- Spring-loaded cover / self-closing

Item #	Description	Price
V1215	Valve, Inlet Vacuum	\$19.95

**1 1/2in Plastic Crevice Tool**



V112PCR



VAC100

Item #	Description	Color	Price
V112PCR	Vacuum Crevice Tool	Orange	\$2.25
V112PCR-BK	Vacuum Crevice Tool	Black	2.25
VAC100	Vacuum, Crevice Tool Assembly		65.00

**Vacuum Hose – Heavy-Duty / 1 1/2in**



Item #	Description	Color	Price
VH150	Hose, Vacuum 1 1/2in x 45ft	Brown	\$52.95
VH150RD	Hose, Vacuum 1 1/2in x 45ft	Red	52.95
VH150BL	Hose, Vacuum 1 1/2in x 45ft	Blue	52.95
VH150GR	Hose, Vacuum 1 1/2in x 45ft	Gray	52.95

All Hose measured from inside diameter

**Vacuum Hose – Heavy Duty / 2in**



Item #	Description	Color	Price
VH200	Hose, Vacuum 2in x 30ft Heavy Duty	Brown	\$41.95
VH245	Hose, Vacuum 2in x 45ft Heavy Duty	Brown	61.95

**Vacuum Hose – Medium-Duty / 2in**



Item #	Description	Color	Price
VH200MRD	Hose, Vacuum 2in x 30ft	Red	\$29.95
VH200MBL	Hose, Vacuum 2in x 30ft	Blue	29.95
VH200MGR	Hose, Vacuum 2in x 30ft	Gray	29.95

**Hose-to-Valve Adaptor**



- Heavy-duty galvanized steel
- Slip-fits into cuff of hose
- Self-locks in place when inserted into inlet valve

Item #	Description	Price
VA150	Valve, Hose To Valve Adaptor	\$9.95

### Vacuum Cuff – Regular



Item #	Description	Color	Price
VC150R	Cuff, Regular, 1 1/2In Vacuum	Gray	\$1.32
VC200R	Cuff, Regular, 2In Vacuum	Gray	1.75

### Vacuum Cuff – Angle



Item #	Description	Color	Price
VC200A	Cuff, Angle, 2In Vacuum	Gray	\$2.89

### Lamb Vacuum Motor – Bypass



- 1 5/8 HP / 120V / 60 Hz bypass air discharge
- For Sherman / Monorall / D&S / Berk / Adams & other vacuums

V11633601



33308

Item #	Description	Price
V11633601	Motor, Lamb Vac 120V, 1 5/8 HP	\$33.95
33308	Motor, Brushes Replacement (Pair)	7.85

### Lamb Vacuum Motor – Peripheral

- 120V / peripheral
- Bypass / air discharge
- For Livingston, Berk & other vacuums



V115330



33415

Item #	Description	Price
V115330	Motor, Lamb Vacuum	\$176.85
33415	Motor, Brush 2 Pack for 115334/115330	9.85

### Vacuum Cuff – Swivel



Item #	Description	Color	Price
VC150S	Cuff, Swivel 1 1/2In Vacuum	Gray	\$2.40
VC200S	Cuff, Swivel 2In Vacuum	Gray	2.57
VC215S	Cuff, Swivel 2In x 1 1/2In Vacuum	Gray	2.99

### Vacuum Cuff – Connector



Item #	Description	Color	Price
VC150C	Cuff, Connector 1 1/2In Vacuum	Gray	\$1.95
VC200C	Cuff, Connector 2In Vacuum	Gray	2.75

### Lamb Vacuum Motor Bypass Quiet version



V11675700



33308

- 1 5/8 HP / 120V / 60 Hz bypass air discharge
- For Sherman / Monorall / D&S / Berk / Adams & other vacuums

Item #	Description	Price
V11675700	Vacuum, Motor Lamb Quiet 120V 1 5/8HP	\$39.95
33308	Motor, Brushes Replacement (Pair)	7.85

### Lamb Vacuum Motor Tangential



V115334



33415

- 2 4/5 HP / 120V / 60 Hz / tangential
- Bypass, air discharge
- For Sherman & other vacuums

Item #	Description	Price
V115334	Vacuum, Lamb Motor	\$186.65
33415	Motor, Brush 2 Pack for 115334/115330	9.85

### G.S. Vacuum Motor



VJ8054



VJ8910



VJ6300

- 1.6 HP / 2-stage bypass
- Double ball-bearing construction
- 94 cu ft of air per min.

Item #	Description	Price
VJ8054	Vacuum, GS Motor	\$38.49
VJ8910	Vacuum, GS Old Style Motor Brush	2.15
VJ6300	Vacuum, Motor Brush for New 8054 GS	2.00

**Vacuum Price Decal**



- Red background w/white letters
- 3in x 4in / vinyl



DECAL290



DECAL295



DECAL296

Item #	Description	Price
DECAL290	Decal, .50 Cent Vacuum	\$0.65
DECAL295	Decal, .75 Cent Vacuum	0.65
DECAL296	Decal, \$1.00, Vacuum	0.65

**Motor Brushes and Bushing**



VJ8060



VJ8055BR



VJ8910-99



VJ8911



VJ8910

Item #	Description	Price
VJ8055BR	Vacuum, Motor Brush Ametek	\$2.90
VJ8910	Vacuum, GS Old Style Motor Brush	2.15
VJ8911	Vacuum, Motor Brush Quiet Lamb	6.79
VJ8910-99	Vacuum, GS New Style Motor Brush	3.00
VJ8060	Vacuum, Motor Bushing	11.20

**Gaskets**



VJ8159



VJ8057



VJ8063

Item #	Description	Price
VJ8057	Vacuum, Gasket Motor	\$2.99
VJ8063	Vacuum, Gasket Bushing	2.99
VJ8159	Vacuum, Door Gasket	4.89



DECAL300



**Vacuum Tank Decal**

- 9 1/2in x 29 1/2in Vinyl

Item #	Description	Price
DECAL300	Decal, Vacuum Black w/White Letters	\$4.25

**Filter Bags**



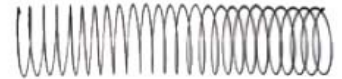
VJ8057



VJ8072



VJ8063



VJ8075



VJ8060



VJ8076

Item #	Description	Price
<b>*VJ8079 Filter Bag Assembly Kit includes:</b>		
*VJ8079	Filter Bag Assembly Complete Kit	39.99
*VJ8057	Vacuum, Gasket Motor	2.99
*VJ8060	Vacuum, Motor Bushing	11.20
*VJ8063	Vacuum, Gasket Bushing	2.99
*VJ8072	Vacuum, Filter Bag w/O-Ring	14.49
*VJ8075	Vacuum, Spring for Filter Bag	9.99
VJ8076	Vacuum, Filter Bag 6in	17.79

### Clean-Out and Filter Bag Doors Replacement Parts



VJ8157



VJ8153

Item #	Description	Price
VJ8153	Vacuum, Door Latch & Keeper	\$11.99
VJ8157	Vacuum, Keeper Nut #6-32 SS	\$0.79

### Clean-Out Bag



- Clean-out Bag
- Heavy-duty vinyl coated nylon
- Spring steel ring sewn into the top of the bag to maintain it's shape
- 19in diameter x 7in tall
- Shipping weight: 1 lb.

Item #	Description	Price
VJ8599	Vacuum, Clean Out Bag	\$39.99

### Timers and Counters



VJ8712X



VJ8641



VJ8641-1



VJ8131-12

Item #	Description	Price
VJ8712X	Timer, Accumulating 24V-110V AT411	\$109.19
VJ8641-1	Coin Counter, Non-Resetable Infitex	32.25
VJ8641	Cycle Counter, Non-Resetable JE Adams	62.25
VJ8131-12	Timer, IDX, Coin Counter JE Adams	109.29



VJ8202W

### Part Options for J.E. Adams Vacuums, Combo Units & Air / Vacuums

#### Security Options For Coin Boxes

##### • 8202W Security Cover For Coin Box

Use with all (except vault ready models) 8100 series, 8200 series, 8500 series, 8600 series, 8610 series, 8648 series, 8900-110V series, 9200 series, 9210 series, 9213 series, 9200-1 series, 9200-3 series, 9209 series, 9209-6 series, 9420 series, 9420-1 series, and 9500 series vacuums and combination vacuums, shipping weight: 3 lb. 9 oz.

##### • 8940-1W Security Cover For Coin Box

Use with 8930, 8940, and 9220, 9230, 9240, 9250 Series vacuums, shipping weight: 4 lb.

Item #	Description	Price
VJ8202W	Vacuum, Coin Box Security Cover	\$69.99
VJ8940-1W	Vacuum, Coin Box Security Cover	67.50

### 8104 SECURITY KIT FOR SERVICE DOOR



Use with all 8100 series, 8105 series, 8200 series, 8500 series, 8600 series, 8610 series, 8648 series, 9200, 9220, 9230, 9240, 9250 series, 9210 series, 9213 series, 9200-1 series, 9200-3 series, 9209 series, 9209-6 series, 9225 series, 9420 series, and 9420-1 series vacuums and combination vacuums, shipping weight: 1 lb. 4 oz.

Item #	Description	Price
VJ8104	Vacuum, Security Kit Service Door	\$37.99

### 8206 Stainless Steel Lock Bar For Coin Box Security Cover

- Dimensions: 1 1/2in x 1/4in x 9in
- Accommodates Abus style lock
- For use with 8202W and 8940-1W coin box security covers

• Use with all (except vault ready models) 8100 series, 8200 series, 8500 series, 8600 series, 8610 series, 8648 series, 8900-110V series, 8930 series, 8940 series, 9220, 9230, 9240, 9250, 9200 series, 9210 series, 9213 series, 9200-1 series, 9200-3 series, 9209 series, 9209-6 series, 9420 series, 9420-1 series, and 9500 series vacuums and combination vacuums, shipping weight: 1 lb.

Item #	Description	Price
VJ8206	Vacuum, Lock Bar Coin Box Security Cover	\$21.20

## **\*CUSTOMER SERVICE\***

Please contact SONNY'S Equipment Department for installation and/or operation questions regarding this piece of equipment.

Please refer to the Parts list in this manual or our Parts Catalog and contact SONNY'S Order Entry Department for any replacement parts for this piece of equipment.

<b>DEPARTMENT</b>	<b>PHONE NUMBERS</b>	<b>FAX NUMBERS</b>
Toll Free Main Line	800-327-8723	800-495-4049
Equipment Department	954-467-1203	954-720-9292

Or you can email Sales at [sales@sonnysdirect.com](mailto:sales@sonnysdirect.com)

*Thank you for being a SONNY'S car wash equipment owner!*

*From all of us here at*

